

Design by

Mentsen

Material & finish

- Matt glass in translucent clear-etched finish
- Powdercoated metal in 3 colours

Dimensions & weight

- 4 shade option 1620mm long x 140mm height x 165mm wide and 4Kg
 - 5 shade option 2020mm long x 140mm height x 165mm wide and 5Kg
- Note - see drawings for US conversion

Options

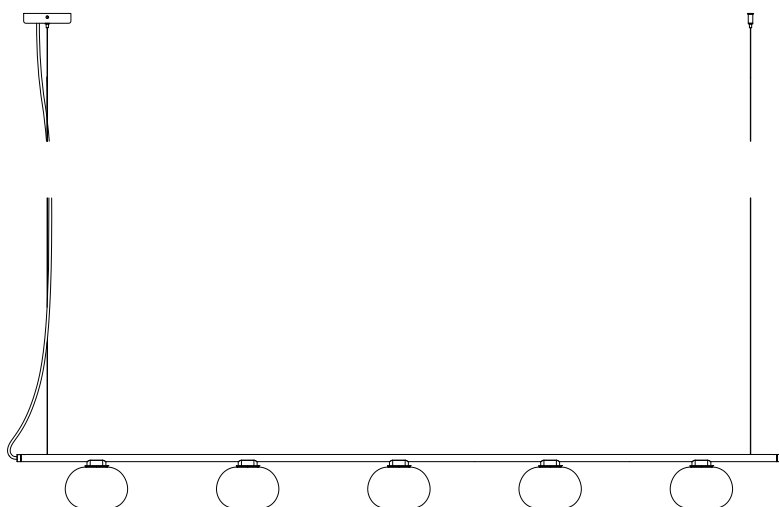
- Matt opal glass shade finish as special order
 - Black brown (RAL8022) Off White (RAL 9002) & Red Brown (RAL8015)
- 4 shad or 5 shade

Lamp type & wattage

- G9 lamp holder, max 6W LED for each shade (bulbs are not included)

Wiring certification

CE / UKCA





- Please read these instructions IN FULL and carefully BEFORE commencing assembly and installation.
- We recommend the use of a professional trades person with suitable qualifications for the installation of electrical lights.
- Install the light in conformity with all relevant local building codes and regulations.
- Make sure mains power is off during installation.
- Make sure that the light is securely mounted to the ceiling or wall and that there is a suitable substrate for this.
- Ensure you are working from a safe platform or ladder if working at height.
- Do NOT use a lightbulb of more than 6W LED per lampholder.
- Take care with the glass shade as this can break if it is hit hard enough.
- If at any point your lightbulb breaks then, as with any light, do not touch the filament/LED part unless the power is turned off
- Always turn off the power before changing a lightbulb.
- Used electrical equipment (WEEE) should not be mixed with general household waste. Please recycle. Our products can be dismantled prior to disposal.
- If the external flexible cable or cord of this luminaire is damaged, it shall be exclusively replaced by the manufacturer (or his service agent) or a similar qualified person in order to avoid a hazard.

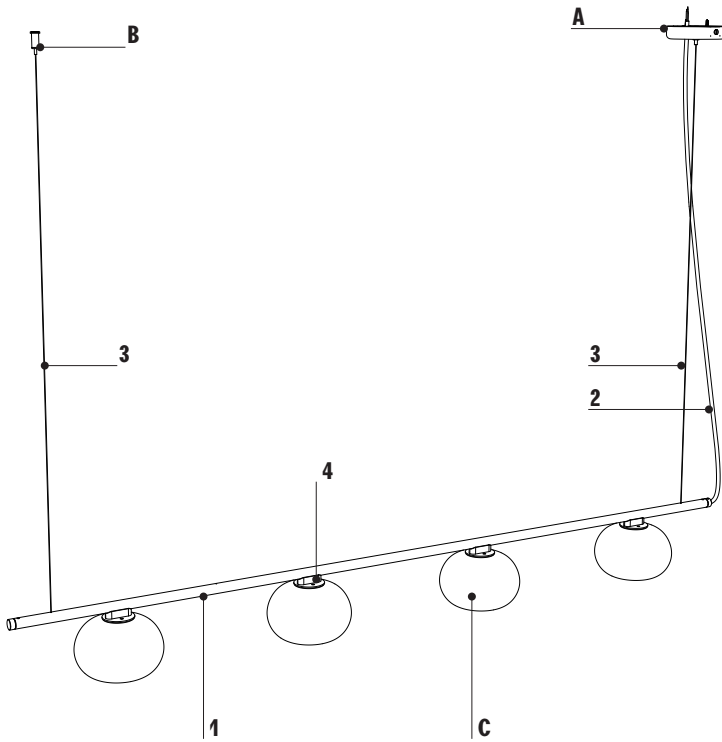
Contact

Hand and Eye Studio Ltd
UK company number: 7587679
Email: info@handandeyestudio.co.uk
Tel: +44 (0) 1548 550675

EU Authorised Representative:
Artisan Home Collection SL
4 calle de la Iglesia, 18710 Polopos (Granada), Spain
Company number: B75241851
Contact telephone: +34 665250276
Contact email: orders@thefrenchhouse.net

Diagram 1

Components overview



Unpacking the Melina Linear

The Melina linear comes partly pre-assembled as listed below.

When unpacking make sure to keep the metal pole and parts rested on a flat surface on the protective packaging to prevent bending or scratching the supplied parts.

The glass and accessories will be packaged in a separate box to the main pole to reduce breakages.

1 Step 1 - Check Components

The following components will be supplied:

Assembled:

1. Metal pole
2. Power flex cable
3. Suspension wire cables
4. Glass fixing plates & lamp holders

Separate Items:

- A. Ceiling rose
- B. Suspension clamp
- C. Glass shades (with collars)

2 Step 2 - Attach the ceiling rose fixing plate

Attach the ceiling rose fixing plate (1) to the ceiling using fixing screws (not supplied) suitable for the ceiling substrate and lamp weight.

Diagram 2

Attach the ceiling rose

1. Ceiling rose fixing plate (screws not supplied)
2. Suspension wire cable
3. Central suspension clamp
4. Power flex cable
5. Flex hole on ceiling rose
6. Earthing terminal
7. Side fixing screws

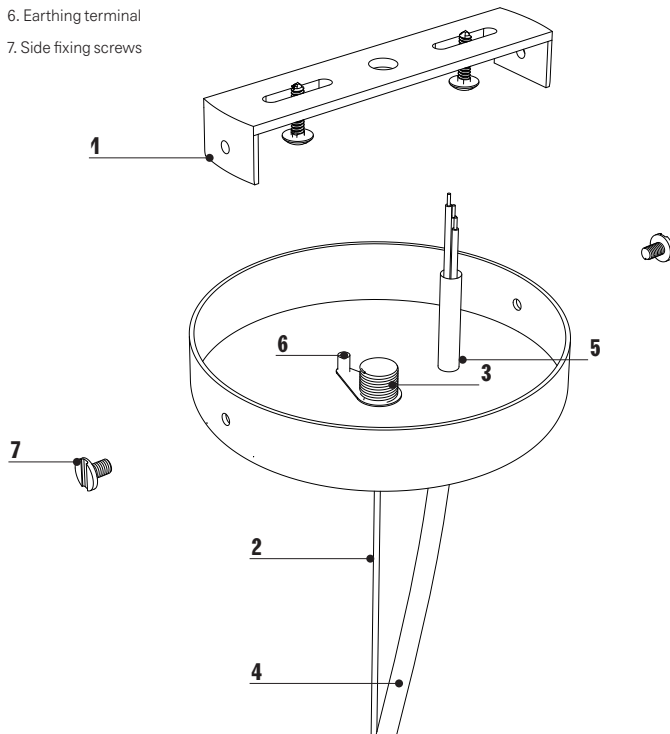
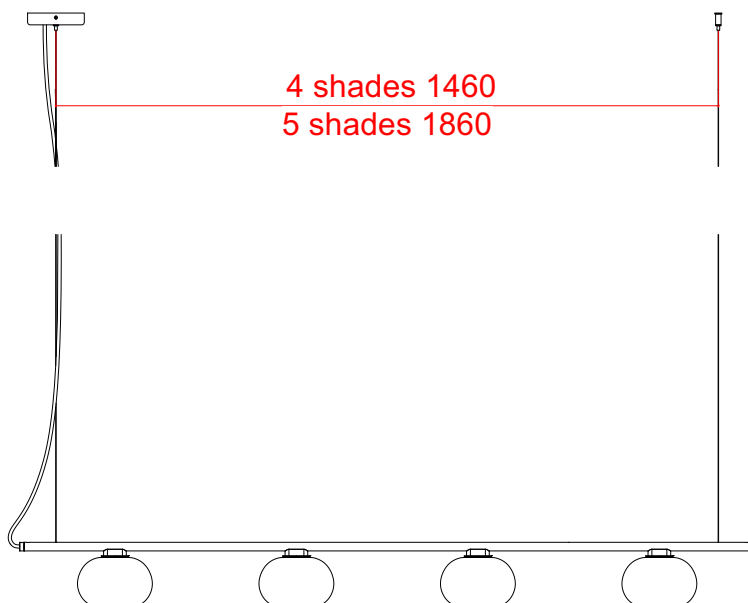


Diagram 3

Connect suspension clamp



3 Step 3 - Attach the ceiling rose to the lamp

Attach the suspension wire cable (2) to the central cable clamp (3) by feeding it through the clamp nipple. Feed through the power cable (4) through the hole to the side of the clamp (5).

The lamp should be positioned on a horizontal surface and the above process should take place at normal working height. The lamp can be positioned later.

Note!

- Keep the small brass side fixing screws (7) safe!

4 Step 4 - Connect the second suspension point

Attach the suspension ceiling clamp (B) to the ceiling using a screw (not supplied) suitable for the ceiling substrate.

Note!

- Ensure the clamp is located exactly as per dimensions in diagram 3 to ensure parallel suspension cables!
- Select the correct distance for either the 4 or 5 globe version

5 Step 5 - Set the correct height

Decide on the required lengths for the steel wire cables (ie total drop required from ceiling to pole level).

Feed the steel wire cable into the second suspension clamp and set to the desired height.

Cut the steel cable and flex cable inside the ceiling rose cover to the required lengths.

Note!

- Only cut the steel wire cable AFTER it is inserted into the clamp!
- The steel wire cable can be pushed in and out of the clamps by pushing the nipple in, twist this to secure once the cables are correctly set.

Diagram 4

Connect the electrics

1. Connector block + terminals
2. Supply mains voltage
3. Lamp flex cable
4. Earth termination (see diagram 2)

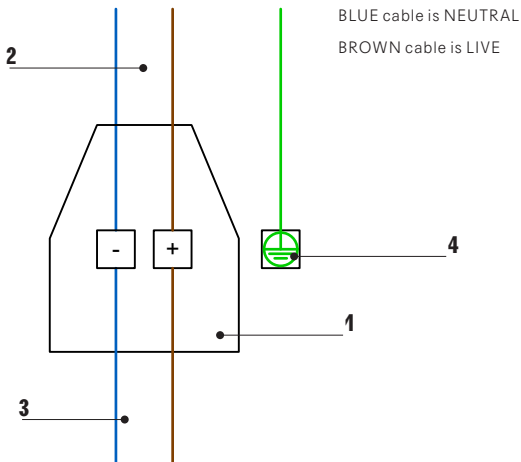
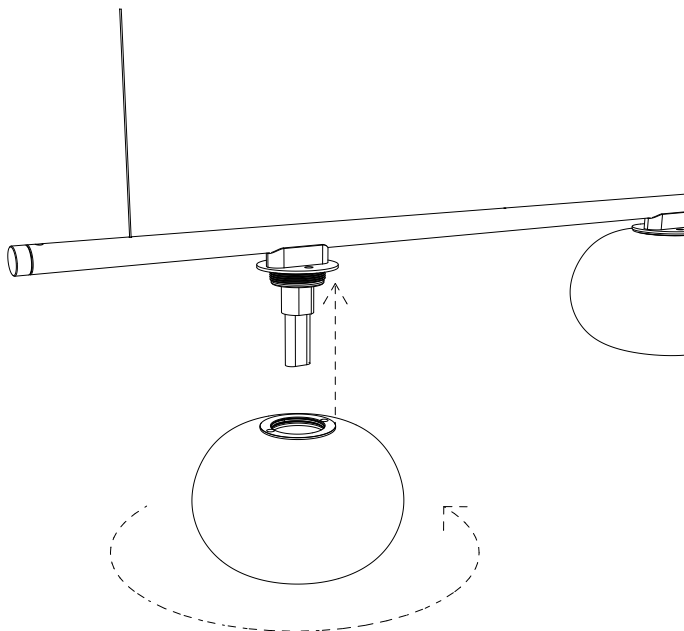


Diagram 5

Attaching the glass shades



6 Step 6- Connect to the mains electrics (diagram 4)

Connect the electrical flex cable to the mains supply using the provided connector box + terminals.

Ensure all cables have been prepared to suitable lengths to ensure they can comfortably be housed in the ceiling rose.

If necessary, connect the earth cable to the supplied earth terminal (6).

Note!

- The connector box should be properly screwed down to clamp the secondary insulation on the cables to maintain Class II (double insulation).

7 Step 7 - attaching the ceiling rose cover (diagram 3)

Now that the wiring is complete the ceiling rose can be closed up by attaching the cover. Slide the cover over the fixing plate align the side screw holes. Use the brass fixing screws to secure the cover to the fixing plate.

8 Step 8 - attaching the glass shades

Now that the lamp is hanging straight and fully connected attach G9 LED lightbulbs (max 6w) to the lamp holders by pushing these in place.

Attach the glass shades by gently offering these up to the threaded connector and rotate these anti-clockwise. Do this until the brass collar meets the powdercoated metal plate.

Note!

- Do not overtighten!
- Use the plastic cover bags when touching the glass or ensure clean hands!