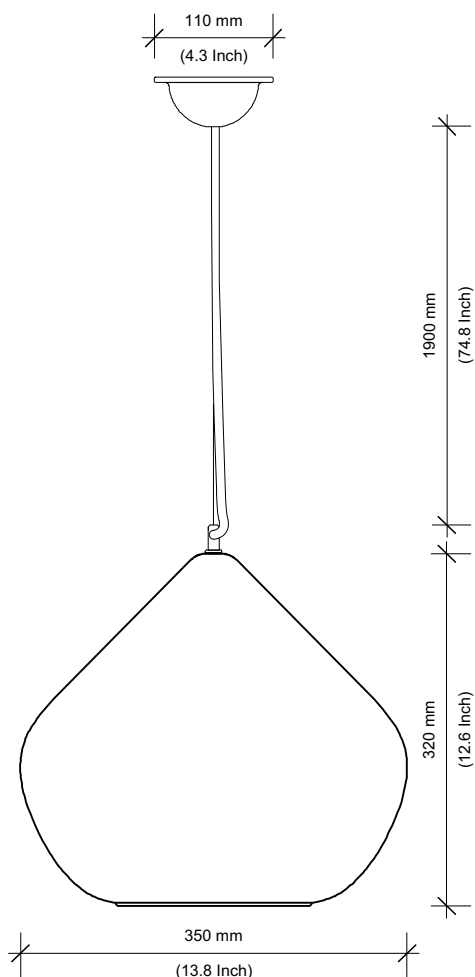
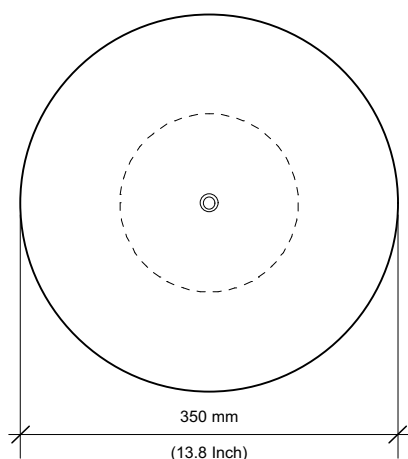


Dimensions- Side view



Dimensions- Top view



Design by

Thomas Housden

Material & finish

Earthenware & semi-matt glaze

Dimensions & weight

Ø350mm, H.320mm, 4.5kg
Ø13.8inch, H.12.6inch, 9.9lb

Lamp type & wattage

- E27 lamp holder, max 12W LED (bulb not included), 230v AC 50Hz
USA: E26 lamp holder, max 12W LED (bulb not included) 120v AC 60Hz
- Dimmable if used with compatible dimming controls and bulbs

IP rating

IP20

Wiring certification

CE, EN60598
UL listed

Finish Options

Oyster, Mustard, Liquorice



- Please read the instructions before assembly or installation.
- Be sure to use a suitably qualified person for installation as the lights require connecting to mains power
- Install the light in conformity with all relevant local building codes and regulations.
- Make sure mains power is off during installation
- Make sure that the light is securely hung from the ceiling and that there is a suitable substrate for this. The weight of the lamp needs to be taken by the suspension wire not the electrical flex.
- When attaching the ceiling rose ensure you are working from a safe platform or ladder
- Do NOT use an electric screwdriver to tighten the ceiling rose screws as this can cause it to crack
- Do NOT use a light bulb of more than 12W.
- We strongly recommend using an LED light bulb and we recommend an opal bulb.
- Take care with the ceramic shade as this can break if hit hard enough. We recommend installing the lamp above furniture such as tables or island units or above head height.
- If at any point your light bulb breaks then, as with any light, do not touch the filament/LED part unless the power is turned off.
- Always turn off the power before changing a light bulb.
- If the external flex cable is damaged, this should only be replaced by the manufacturer or a similarly qualified person.
- Used electrical equipment (WEEE) should not be mixed with general household waste. Please recycle. Our products can be dismantled prior to disposal.
- USA note: UL regulations require a 'free air' gap between the ceiling and lamp holder so please allow for a minimum of a 4 inch length of flex between the canopy and the shade.

Contact

Hand and Eye Studio Ltd
UK company number: 7587679
Email: info@handandeyestudio.co.uk
Tel: +44 (0) 1548 550675

EU Authorised Representative:
Artisan Home Collection SL
4 calle de la Iglesia, 18710 Polopos (Granada), Spain
Company number: B75241851
Contact telephone: +34 665250276
Contact email: orders@thefrenchhouse.net

Diagram 1

Lamp components

1. Electric flex with woven fabric sheathing
2. Suspension wire
3. Brass Hook
4. Metal washers
5. Rubber washers
6. Lamp holder pole
7. Lamp shade
8. E27 lamp holder (E26 USA)
9. Light bulb max 12w LED (not supplied)

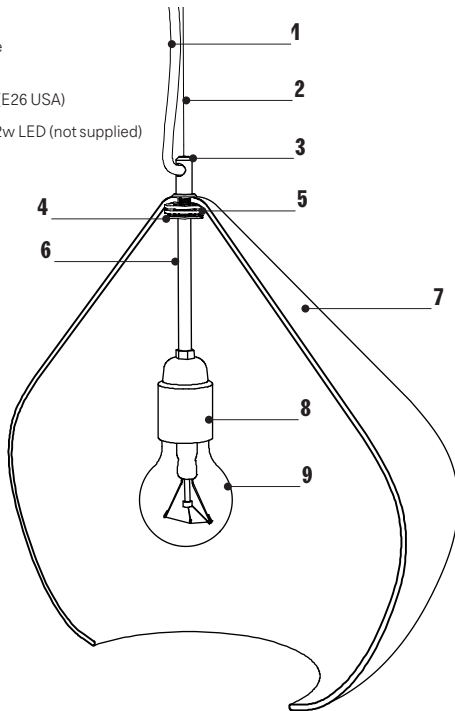
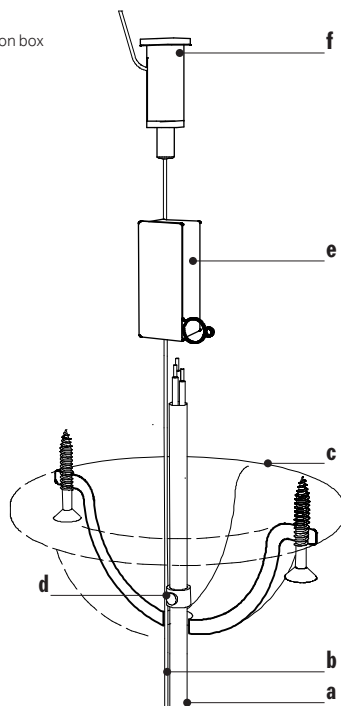


Diagram 2

Ceiling rose components

- a. Electrical flex
- b. Suspension wire
- c. Ceramic ceiling rose (screws not supplied)
- d. Flex grommet
- e. Electrical connection box
- f. Ceiling clamp



Steps

1 Check lamp components

The lamp set will arrive fully assembled as in diagram 1.

2 Choose hanging height

Decide on the hanging height and cut the flex (1) if necessary. To prevent fraying, tape the fabric with electrical tape after cutting and ensure the sheathing is not slack on the flex. Ensure electric cables have been suitably prepared for connection.

Note!

- We recommend holding the lamp up and testing the lamp height visually before cutting the flex!
- Allow a small amount of extra flex (approx 50mm / 2 Inch) to allow some tolerance and adjustability).

3 Assemble the ceiling rose (canopy)

Thread the flex (a) and the suspension cable (b) through the ceiling rose (c). Place a flex grommet (d) on the top of the flex and secure. This will be used to set the amount of slack on the flex once installed. See diagram 2.

Note!

- A second flex grommet is included in case you want to use this to connect the steel wire with the flex to keep them close or create a swagged effect. If you wish to use this, then you should place this onto the steel wire and flex BEFORE threading these through the ceiling rose.

4 Prepare the ceiling

USA - Install a Raco 4" octagonal Raco metal ceiling box ensuring it is suitably secured according to the manufacturer's instructions. The back box will need to support the weight of the lamp.

EU - Ensure a suitable substrate and fixing points are available to fix the lamp to. We recommend a plywood pattress behind the plasterboard or heavy duty plasterboard fixings.

5 Attach the ceiling clamp

Fix the ceiling clamp to the ceiling or back box. Insert a suitable screw (h) - not supplied- through top part of the ceiling attachment (g). Ensure the screw is fitted to a suitable substrate capable of taking the lamp's weight.

Diagram 3

Ceiling attachment components

- g. Top part of ceiling attachment
- h. Screw (not supplied)
- j. Clamp (Bottom part of ceiling attachment)
- k. Clamp 'nipple'

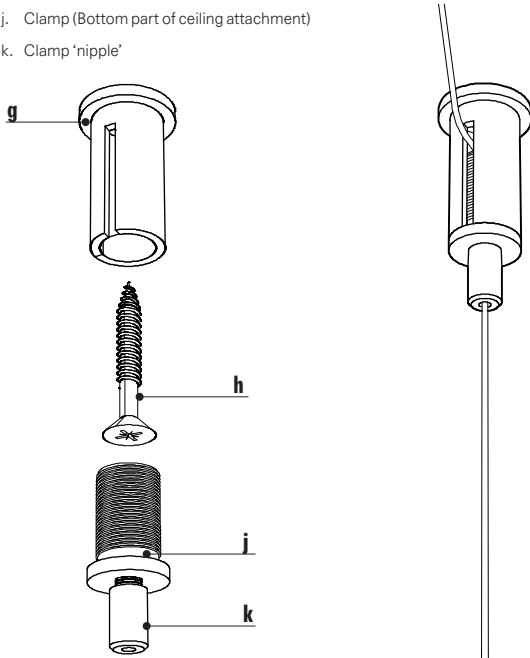
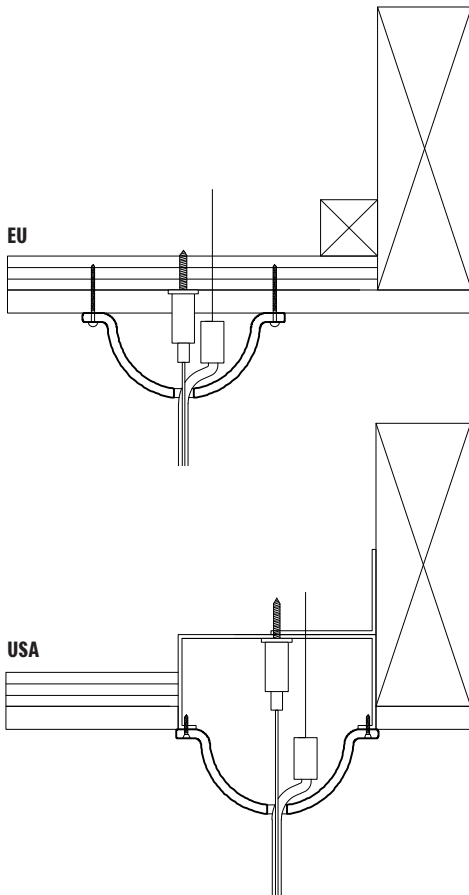


Diagram 4

Final ceiling rose assembly EU / USA



6 Hang the lamp

Thread the suspension cable (b) through the super clamp (to push the wire cable into the clamp the nipple must be loosened by untwisting, then the cable can easily be pushed through. To adjust the cable, push up on the nipple whilst pulling the cable). The excess suspension cable should emerge from the side of the fitting.

Adjust the height of the lamp. Once it is at the correct height tighten the clamp nipple (twist it closed). Then adjust the flex grommet on the end of the electrical flex to adjust to modify the amount of slack.

Note!

- The weight of the lamp must be fully supported off the suspension cable. No weight should be placed on the electrical flex/connection.

7 Connect the power

Now that the lamp is securely hanging from the ceiling connect the mains power cable to the flex using the electrical connector box provided.

8 Attach the ceiling rose (canopy)

USA - Connect the canopy to the 4 inch octagonal Raco ceiling back box using suitable screws. See diagram 4

UK / EU - Connect the ceiling rose to the ceiling using suitable screws and ensure the substrate is suitable or suitable plasterboard fixings are used. See diagram 4

Note!

- Do NOT use an electric screw driver and do NOT over tighten the screws as this can cause the ceiling rose to crack!
- Aesthetically, we recommend brass screws with dome heads for securing the ceiling rose.
- No weight should be taken by the ceramic ceiling rose (canopy)

9 Light bulb

Fit a screw in bulb to the lamp holder (5) making sure not to apply a sideways force on the pole (3). Ensure the use of Max 12W LED bulb.