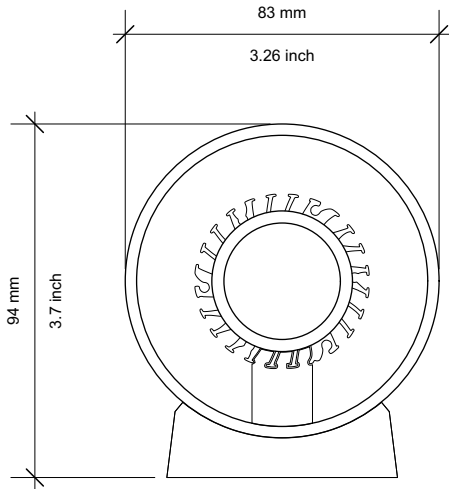


# Hand & Eye

# Isla Instructions & Safety Information USA

## Dimensions- Top view



## Design by

Thomas Housden

## Material & finish

Through colour porcelain

## Dimensions & weight

Ø3.26 inch, H5.62inch, 1.3-1.5lb

Projection from wall: 3.7inch

## Lamp type & wattage

- Integrated low voltage LED, 2700k or 3000k, 14w
- Approx 900 lumens
- LED driver (350mA constant current) supplied
- Not suitable for surface mounted conduit electrical distribution
- Dimmable with suitable dimmers/interfaces

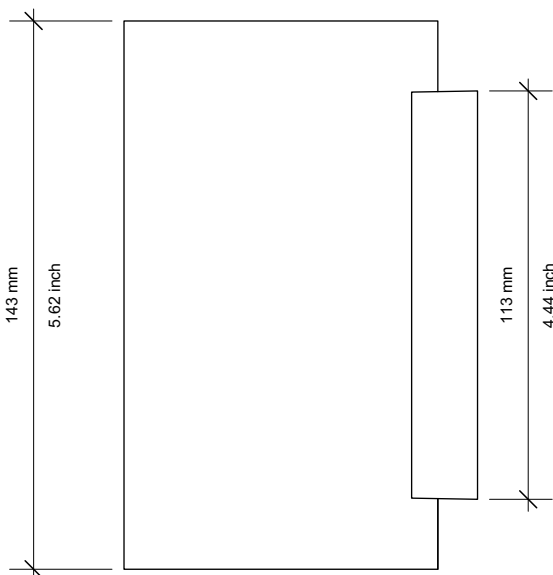
## Wiring certification

CE / UKCA

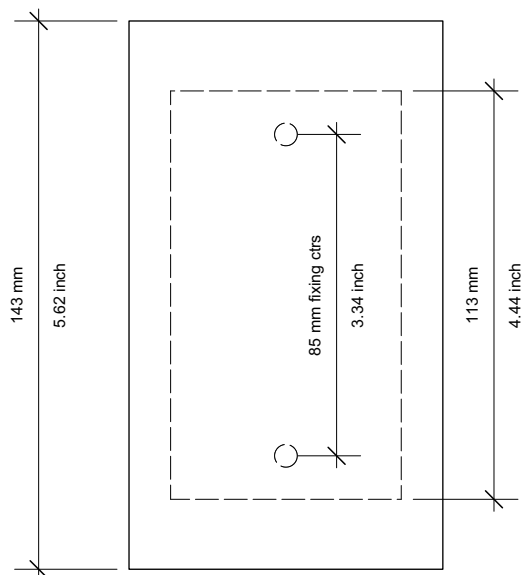
## Options

Colour: dark grey, light grey blue, pink and cream

## Dimensions- Side view



## Dimensions- Front view



Lighting for all the senses.

info@handandeyestudio.co.uk  
handandeyestudio.co.uk

©Aug 2023

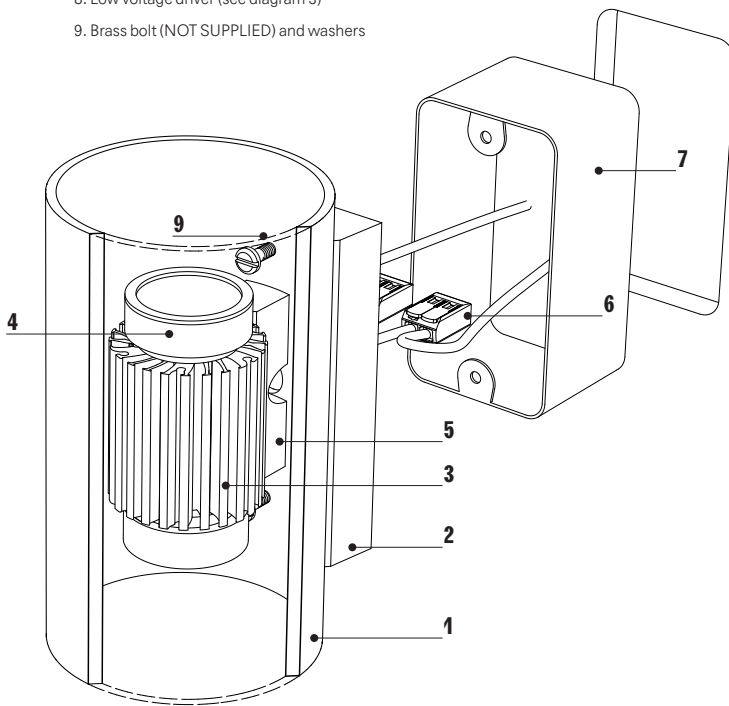


- Please read the instructions before assembly or installation.
- Make sure mains power is OFF during installation
- Be sure to use a suitably qualified person for installation as the lights require connecting to mains power
- Install the light to all relevant local building codes and standards
- Note the integrated LED modules are low voltage LEDs with a remote driver/transformer required
- Make sure the wall is suitably prepared to ensure a solid fixing method and substrate
- The ceramic shades are breakable and should be treated suitably.
- Do NOT touch the LED surface if the lens cap is removed
- Do NOT touch the LED module when turned on if the lens cap has been removed or broken
- Do NOT disassemble the LED module from the heatsink
- Ensure the driver provided is used at the correct mA setting as incorrect drivers or driver settings can damage the LED and cause overheating.
- Do NOT bring the lamp in contact with water or locate the lamp in a wet location
- If the cables are damaged, these must only be replaced by the manufacturer or a similarly qualified person
- For LED module replacements contact Hand & Eye

## Diagram 1

Lamp components & assembly

1. Ceramic shade
2. Ceramic backplate
3. LED assembly
4. LED lenses and edge cap
5. LED fixing block
6. Wago electrical connectors
7. Raco or 4x2 rectangular back box (not supplied)
8. Low voltage driver (see diagram 3)
9. Brass bolt (NOT SUPPLIED) and washers



## Steps

The Isla wall light comes pre-assembled for safe transit with parts 1,2,3,4 & 5 pre assembled. To install the lamp follow the below steps carefully.

### 1 Install the external driver

The lamp requires a driver (8) to provide the low voltage power supply to the integrated LEDs.

We recommend installing the driver in an accessible location such as a cupboard or services room.

Connect the mains side of the driver to the mains power and run suitable cables from the driver to the location of the wall light.

For full information on the maximum distance possible between driver and LED please contact the driver manufacturer. As a guide, most of the drivers that we supply can be located up to 20m (65 foot) away from the wall light using a minimum cable section of 0.5mm<sup>2</sup> or further (potentially up to 50m) if 1mm<sup>2</sup> cable is used.

See diagram 3 for electrical wiring diagram

### Note!

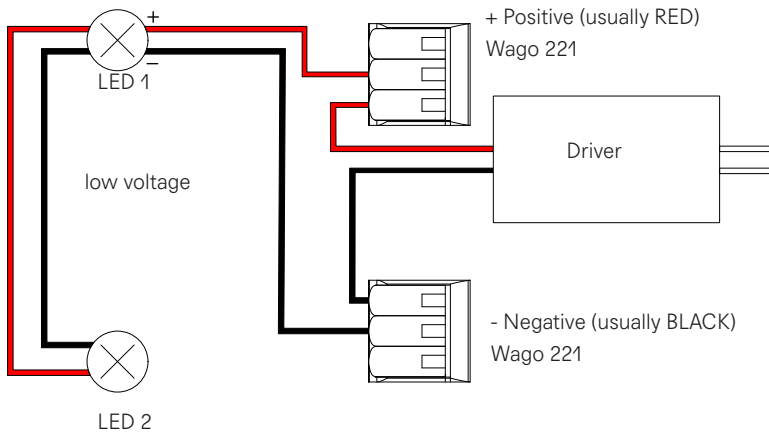
- A qualified electrician **MUST** be used to connect the wall light to the mains power.
- Always ensure the mains power is turned OFF when installing the lamp.
- These LED modules are low voltage LEDs that require a remote driver of maximum 350mA

### 2 Locate wall fixings

The lamp is designed to be used with a standard Raco or similar 4x2inch metal back box. Ensure this is installed to the wall to the manufacturers details and to code.

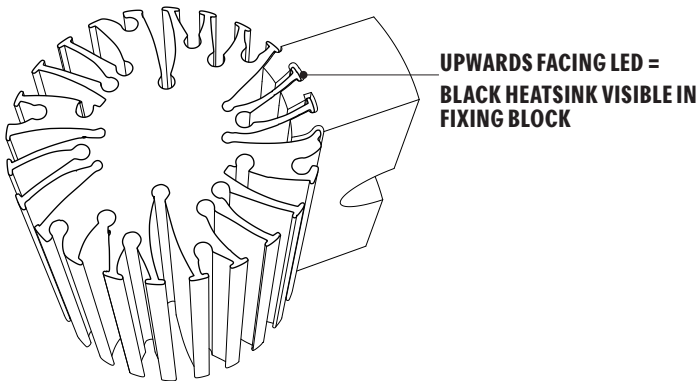
**Diagram 2**

Wiring diagram



**Diagram 3**

Correct lamp direction



### 3 Connect lamp to driver

Connect the low voltage cables from the driver to the LED cables ensuring to connect the polarity as shown in the wiring diagram 2.

Adjust cable length to suit.

#### Note!

- Ensure mains power is switched off
- Check the driver is set to 350mA if the driver has multiple mA settings!
- Test lamp is working before securing to wall

### 4 Check lamp is facing correct direction

The light has a correct up and down side. The LED (3) can slide off the LED fixing block (5) if located upside down. Ensure the the fixing block stop is located at the bottom of the lamp. See diagram 3.

### 5 Secure lamp to wall

Locate the ceramic shade against the wall and align the fixing holes with the back box screw holes (7). Thread the washers onto the brass bolts and then insert the bolts (9) through the shade and into the back box (7).

Tighten gently using fingers or a small screw driver. Only tighten to finger tight so there is no risk of cracking the ceramic shade.

#### Note!

- Do not overtighten fixings screws!
- Bolts/screws are not supplied. These need to be selected to fit the screw holes in the back box.
- Small rubber and metal washers ARE supplied and should be used between the ceramic shade and the bolt/screws when fitting the light.