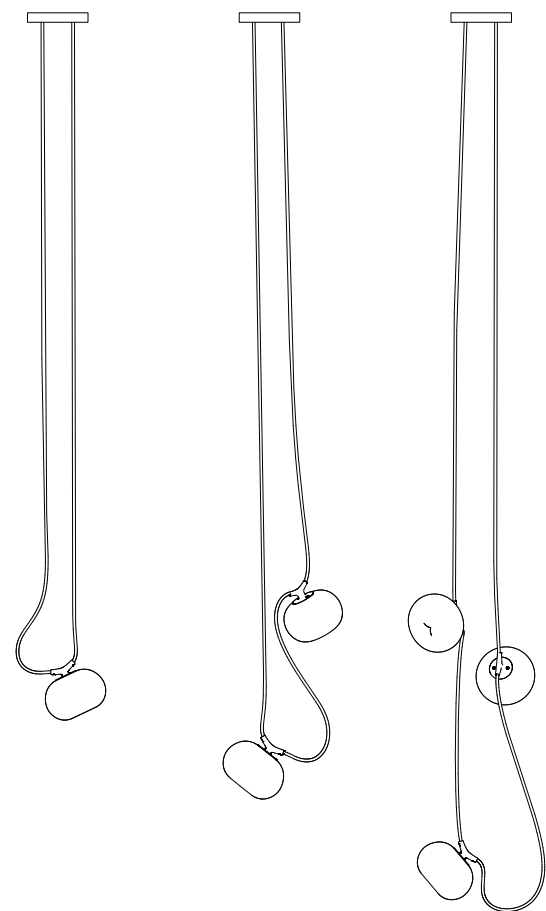


Melina Pendant Instructions & Safety Information



Design by

Mentsen

Material & finish

- Matt glass in translucent clear-etched finish
- Cast bronze fitting
- Bronze coloured textile flex
- Matt white metal ceiling rose

Dimensions & weight

Glass shade Ø165mm (6.5inch), H.127mm (5 inch),
0.6kg (1.32lb)

Flex length: first and last flex is 2m (can be cut down on-site). Flex between shades is as per diagrams.

Options

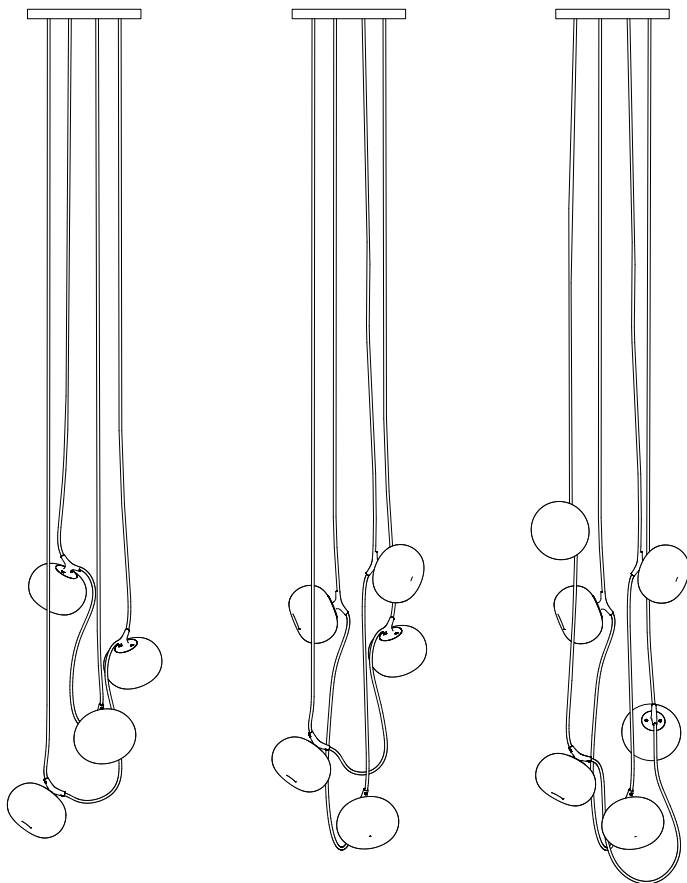
- Single (1 shade) / double (2 shades) / triple (3 shades). These come with one 160mm Ø ceiling rose.
- 2+2 (4 shades) / 2+3 (5 shades) / 3+3 (6 shades). These come with one 300mm Ø ceiling rose.
- Bespoke configuration / arrangement on request.

Lamp type & wattage

- G9 lamp holder, max 6W LED (bulb included for UK/EU customers)

Wiring certification

CE / UKCA



Hand & Eye



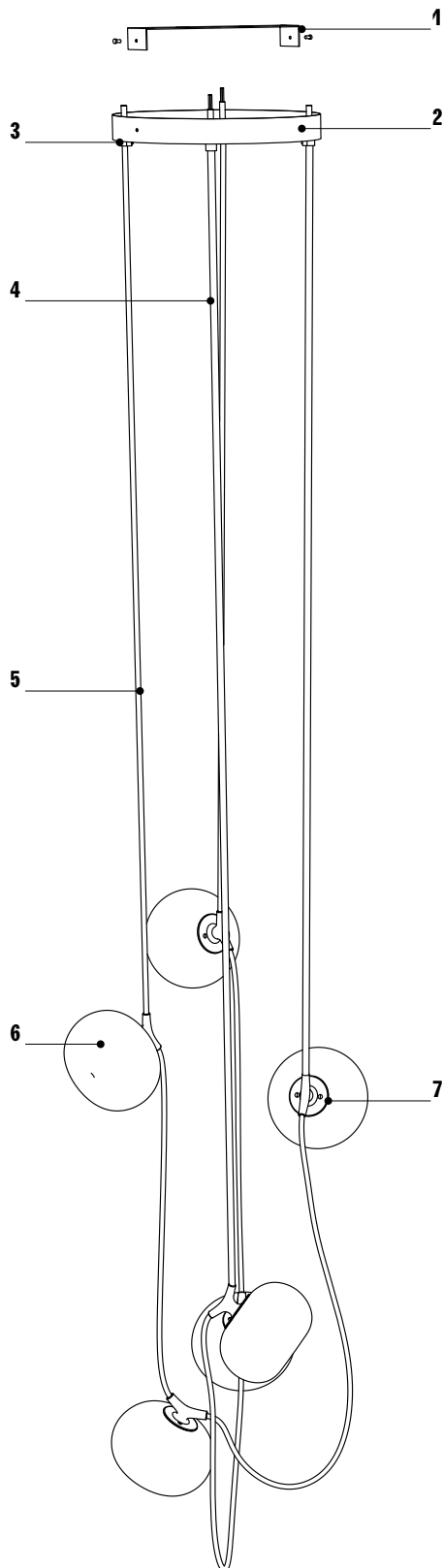
Melina Pendant Safety Information

- Please read these instructions IN FULL and carefully BEFORE commencing assembly and installation.
- We recommend the use of a professional trades person with suitable qualifications for the installation of electrical lights.
- Install the light in conformity with all relevant local building codes and regulations.
- Make sure mains power is off during installation.
- Make sure that the light is securely mounted to the ceiling or wall and that there is a suitable substrate for this.
- Ensure you are working from a safe platform or ladder if working at height.
- Do NOT use a lightbulb of more than 6W LED per lampholder.
- Take care with the glass shade as this can break if it is hit hard enough.
- If at any point your lightbulb breaks then, as with any light, do not touch the filament/LED part unless the power is turned off
- Always turn off the power before changing a lightbulb.
- Used electrical equipment (WEEE) should not be mixed with general household waste. Please recycle. Our products can be dismantled prior to disposal.
- If the external flexible cable or cord of this luminaire is damaged, it shall be exclusively replaced by the manufacturer (or his service agent) or a similar qualified person in order to avoid a hazard.

Melina Pendant Instructions 1/4

Diagram 1

Exploded view (2+3 Melina version is shown)



Attaching & connecting the Melina Pendant light

The Melina pendant comes partly pre-assembled as shown in diagram 1. Items 7,6,5,4 and also 3+2 are pre assembled.

See data sheet pages for the different configurations of the Melina (single, double, triple, 2+2, 2+3, 3+3)

Note!

- For UK and EU customers bulbs are pre-installed.
For US customers bulbs will need to be installed, see section on changing the bulb on the last page.

Components List

1. Ceiling rose fixing plate + brass side screws
2. Ceiling rose cover
ø160mm for single/double/triple Melina
ø300mm for 2+2, 2+3, 3+3 Melina
3. Cord grips with side grub screw
(2 for single/double/triple, 4 for 2+2, 2+3, 3+3)
4. Flex cables
5. 'Dummy flex' silicone cable
1 for single/double/triple Melina, 2 for 2+2, 2+3, 3+3 Melina
6. Glass shade(s)
7. Bronze fitting(s)

Diagram 2

Attach the ceiling rose

1. Ceiling rose fixing plate
2. Screws (not supplied)
3. Mains power
4. Side fixing screws
5. Ceiling rose
6. Cord grip with side grub screw
7. Power Flex
8. Dummy Flex

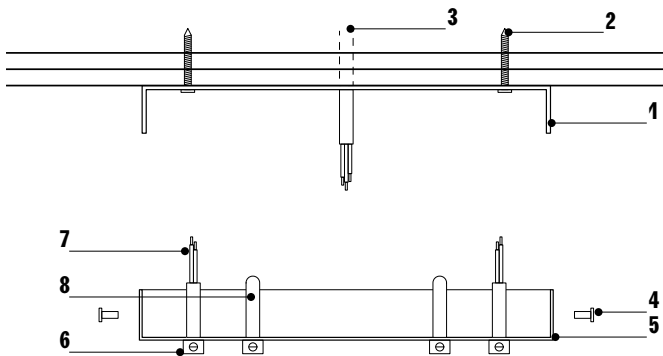
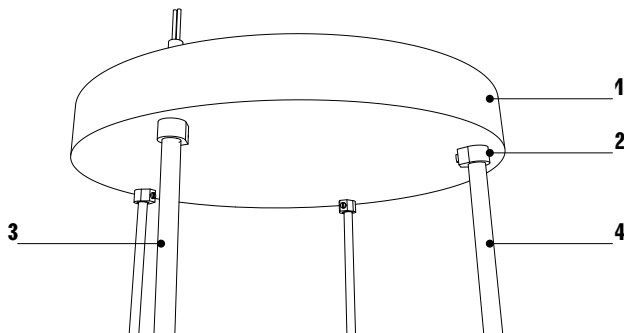


Diagram 3

Set the flex lengths

1. Ceiling rose cover
2. Cord grips with side grub screw
3. Flex cable
(1 flex cable for single, double, triple options, 2 flex cables for 2+2, 2+3 and 3+3 options)
4. 'Dummy flex' silicone cable
(1 silicone cable for single, double, triple options, 2 silicone cables for 2+2, 2+3 and 3+3 options)



1 Prepare the ceiling

Make sure the ceiling location has been suitably prepared allowing for a secure fixing substrate that can take the weight of the light. Ensure the electrical supply is installed as required.

2 Attach the ceiling rose fixing plate (diagram 2)

Attach the ceiling rose fixing plate to the ceiling using suitable fixing screws (not supplied).

3 Set the flex length (diagram 3)

Decide on the required length of the first and last cable for each chain of lights (single, double and triple pendants consist of one chain, 2+2, 2+3 and 3+3 pendants consist of two chains).

Thread the first cable (electrical flex cable) through one of the cord grips on the ceiling rose and secure using the side grub screw. Trim excess cable if necessary.

Thread the last flex cable (this is a 'dummy flex' made of silicone) through the other cord grip and secure. Cut if necessary and tape the textile to prevent fraying.

Note!

- The 2+2, 2+3 and 3+3 versions combine two chains of lights. Make sure that flex lengths are set so that the shades of the two chains are separated from each other and don't hit each other.

4 Connect to the mains electrics (diagram 4)

Connect the electrical flex cable/cables to the mains supply using the provided connector box + terminals.

Ensure all cables have been prepared to suitable lengths to ensure they can comfortably be housed in the ceiling rose. Use the supplied electrical connector box + terminals to make the connections.

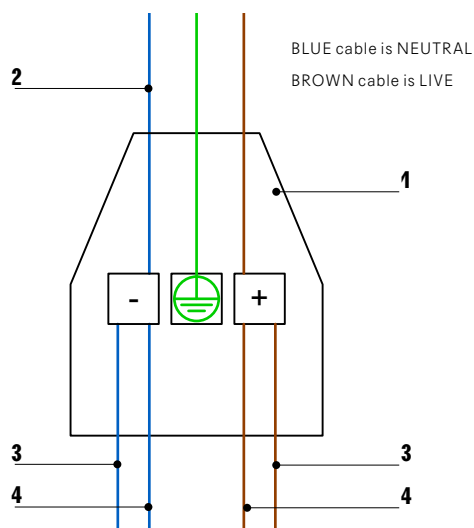
Note!

- EU/UK Note: The connector box should be properly screwed down to clamp the secondary insulation on the cables to maintain Class II (double insulation).

Diagram 4

Connect the electrics

1. Connector block + terminals
2. Supply mains voltage
3. Lamp loop 1
4. Lamp loop 2 (where required)



5 Attaching the ceiling rose cover (diagram 5)

Now that the wiring is complete the ceiling rose can be closed up by attaching the cover. Slide the cover over the fixing plate and locate the side screw holes with those on the fixing plate. Use the brass fixing screws to secure the cover to the fixing plate. The Melina Pendant will now be installed and ready to use.

Diagram 5

Connect the electrics

1. Ceiling rose fixing plate
2. Ceiling rose cover
3. Ceiling rose brass side fixing screws

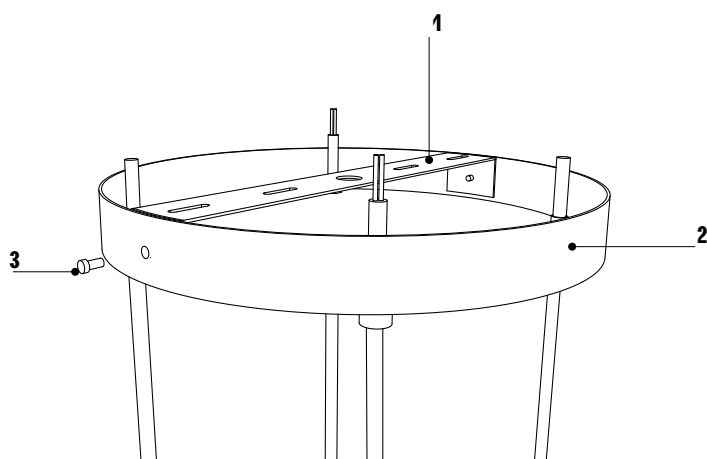
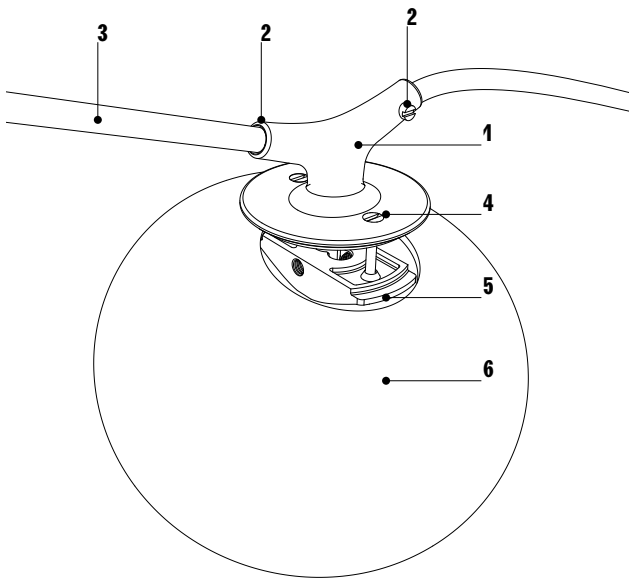


Diagram 6

Replacing the light bulb

1. Cast bronze fitting
2. Grub screw fixing x2
3. Flex
4. release screws
5. Nylon clamp component
6. Glass shade



Installing / changing a light bulb

1 Make sure that the power is off!

2 Remove the glass shade:

Loosen the grub screws on the sides of the cast bronze metal fitting part of the lamp.

Partially unscrew the two brass screws on the cast bronze metal fitting to allow the lamp holder to be removed.

Slide the fitting to one side and angle it to pull the fitting out of the glass shade.

3 Insert / replace the bulb

The Melina requires a G9 bulb which should be a maximum of 6w (LED).

We recommend that the bulb is one that has the LED cobs on the top as well as on the sides and/or is frosted for the best results. Please contact us for examples / specifications.

Check that it is working before replacing the glass shade.

4 Replace the glass shade

Reverse the above steps

Put the fitting back on by inserting the plastic part into the glass shade.

Check the fitting is central over the hole in the shade and gently re-tighten the two screws until the fitting is secure on the shade. Do not over tighten!

Re tighten the grub screws on the sides of the bronze cast fitting.

Note! Grub screws must be used and must be plastic. please contact us for replacements if any are lost.