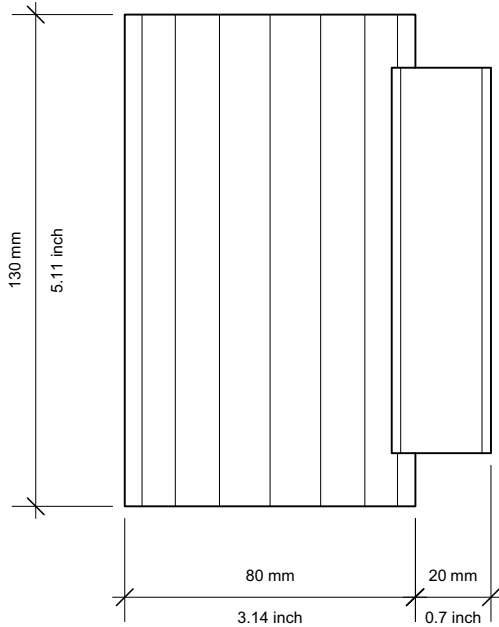
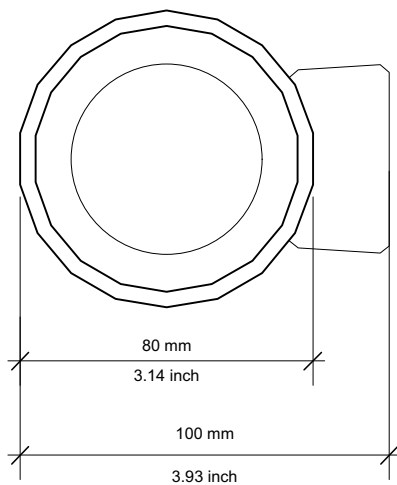


Dimensions- Side view



Dimensions- Top view



Design by

Thomas Housden

Material & finish

Terracotta, white glaze, silicone back plate (ceramic back disk for USA)

Dimensions & weight

Ø80mm, H.130mm, 0.62kg

Ø3.14 inch, H.5.11 inch, 13.6lb

Projection from wall: 100mm EU / 3.34 inch USA

Lamp type & wattage

- Integrated low voltage LED, 2700k or 3000k, 14w
- Approx 900 lumens
- LED driver (350mA constant current) supplied
- Not suitable for surface mounted conduit electrical distribution
- Dimmable with suitable dimmers/interfaces

IP rating

IP20

Wiring certification

CE, EN60598

Options

Raw terracotta

Terracotta with a gloss white glaze

USA terracotta 4" back box mounting plate



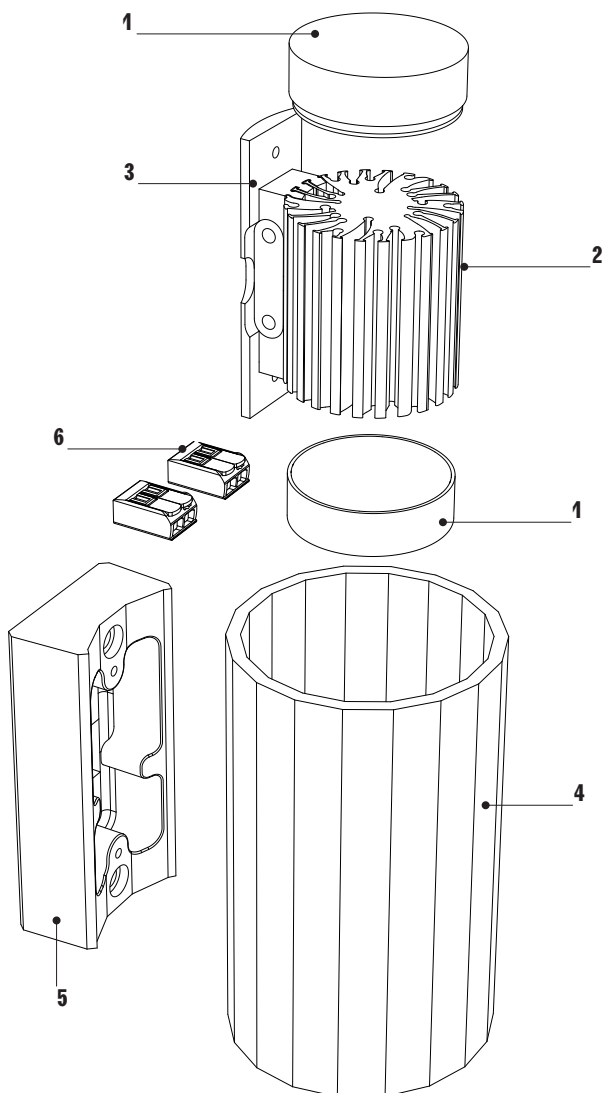
Gooseberry Wall Safety Information EU/UK

- Please read the instructions before assembly or installation.
- Make sure mains power is OFF during installation
- Be sure to use a suitably qualified person for installation as the lights require connecting to mains power
- Install the light to all relevant local building codes and standards
- Note the integrated LED modules are low voltage LEDs with a remote driver/transformer required
- Make sure the wall is suitably prepared to ensure a solid fixing method and substrate
- The ceramic shades are breakable and should be treated suitably.
- Do NOT touch the LED surface if the lens cap is removed
- Do NOT touch the LED module when turned on if the lens cap has been removed or broken
- Do NOT disassemble the LED module from the heatsink
- Do NOT bring the lamp in contact with water or locate the lamp in a wet location
- If the cables are damaged, these must only be replaced by the manufacturer or a similarly qualified person
- Used electrical equipment (WEEE) should not be mixed with general household waste. Please recycle. Our products can be dismantled prior to disposal
- For LED module replacements contact Hand & Eye

Diagram 1

Lamp components

1. Low voltage LED and lens cap
2. Heat sink (pre-fitted to LED)
3. Nylon fixing plate and integrated cable grip (pre fitted to ceramics)
4. Ceramic shade
5. Silicone wall plate
6. Wago electrical junction box x2



Steps

The Gooseberry Wall Light comes partially pre-assembled for safe transit. Some parts need to be undone to attach the light to the wall.

1 Install the external driver

The lamp requires a driver to provide the low voltage power supply to the integrated LEDs.

We recommend installing the driver in an accessible location such as a cupboard or services room.

Connect the mains side of the driver to the mains power and run suitable cables from the driver to the location of the wall light.

For full information on the maximum distance possible between driver and LED please contact the driver manufacturer. As a guide, most of the drivers that we supply can be located up to 20m (65 foot) away from the wall light using a minimum cable section of 0.5mm² (AWG 20) or further (potentially up to 50m) if 1mm² cable (AWG 17) is used.

Note!

- A qualified electrician *MUST* be used to connect the wall light to the mains power.
- Always ensure the mains power is turned OFF when installing the lamp.
- These LED modules are low voltage LEDs that require a remote driver of maximum 350mA

Diagram 2

Wall plate

a. M6 screw holes

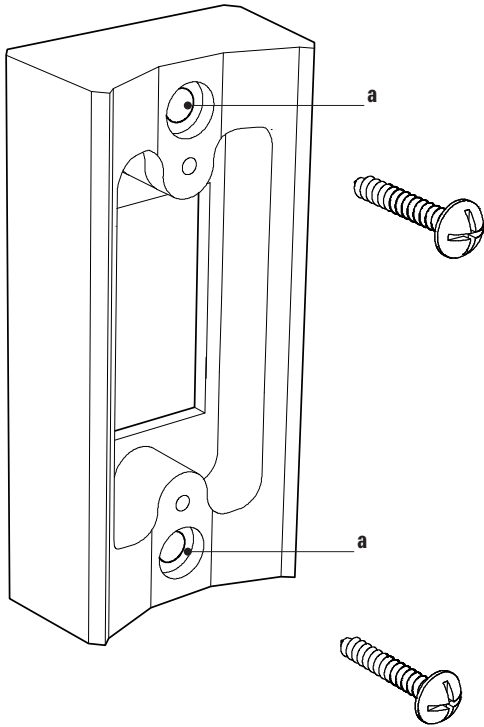
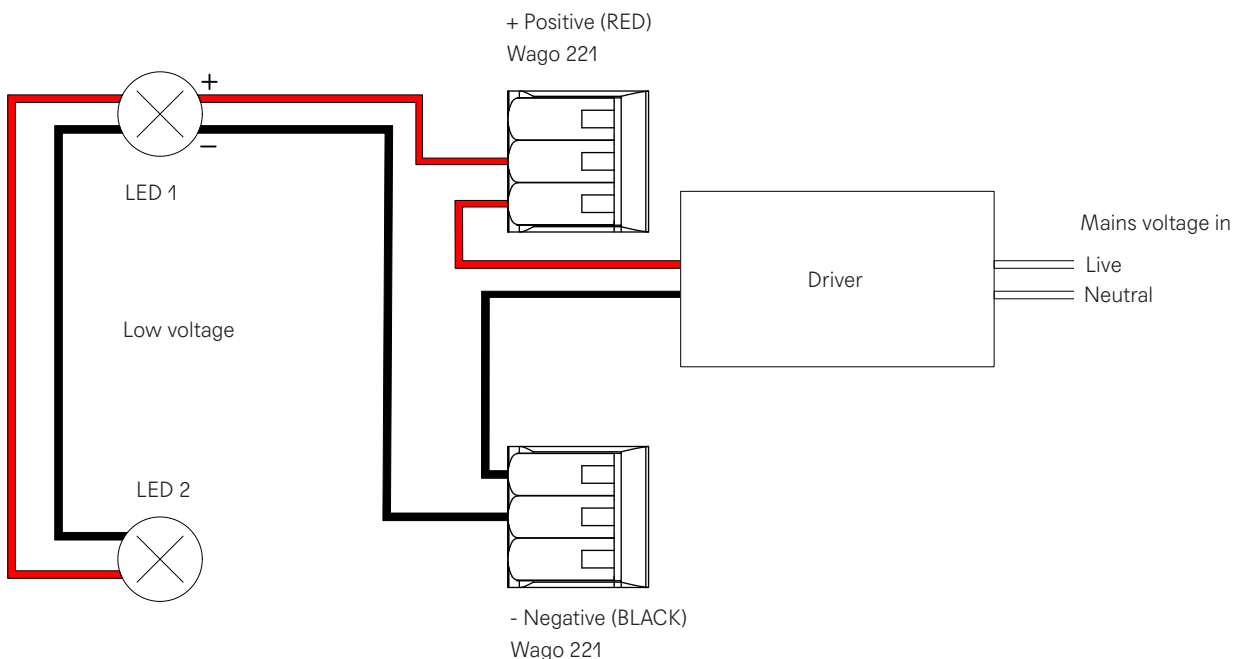


Diagram 3

Electrical wiring diagram



2 Attaching the back plate to the wall

Attach the silicone wall plate to the wall using two M6 screws as in diagram 2. Ensure a suitable substrate, wall plugs and screws are used (these are not provided).

Note!

- If electrics are being pre-installed without the lamp being present, the wall light can be located on the wall by using the cut out paper template (page 6) that locates the wall screw fixings in relation to the electrical power supply exit point.

3 Connecting the lamp to low voltage power

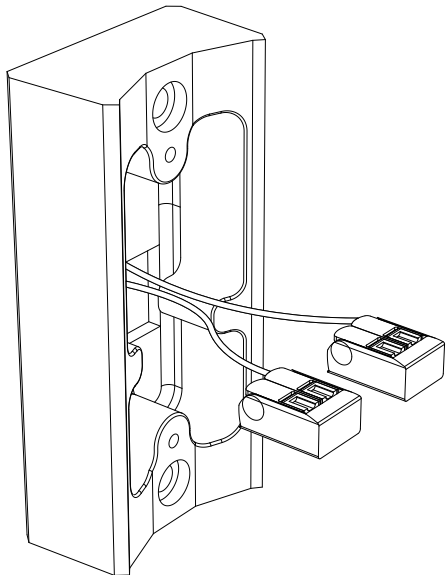
Connect the positive (red) and negative (black) LED cables to the low voltage supply cables using the wago connector blocks by lifting the levers and then snapping them shut once the cable is inserted. Make sure the cables are wired according to the wiring diagram.

Note!

- The shade needs to be the correct way round on the wall to prevent the heat sink assembly from sliding out of the nylon fixing plate. The thicker rim of the ceramic should face down. You will be able to see the metal fins all around the nylon piece when viewed from above (the other side has the fins blocked off by the nylon).

Diagram 4

Connecting cables (low voltage) to connector blocks

**4 Connecting the lamp to power**

Once all the connections have been made locate the Wago connectors in the void of the silicone back plate.

Make sure cable lengths have been cut to the correct length.

Diagram 5

Connecting LED cables to connector blocks

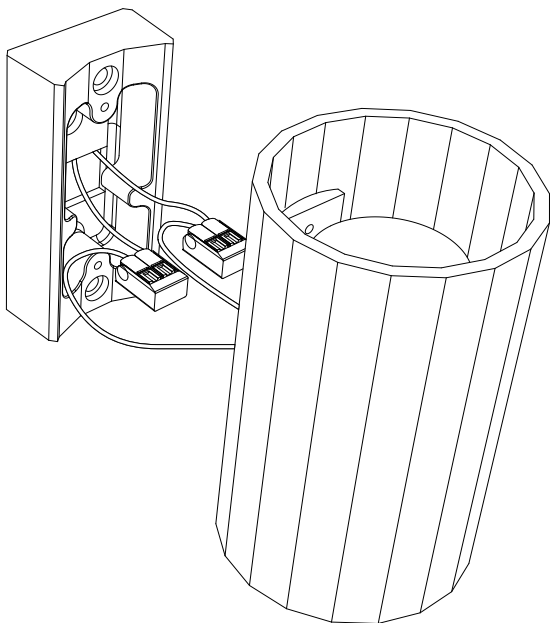


Diagram 6

Removing the nuts from the M3 socket cap screws

1. Nut (x2) - to be REMOVED
2. Plastic washer (x2) - can stay in place

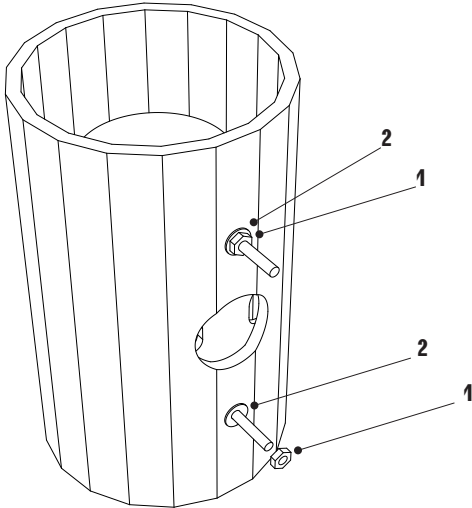
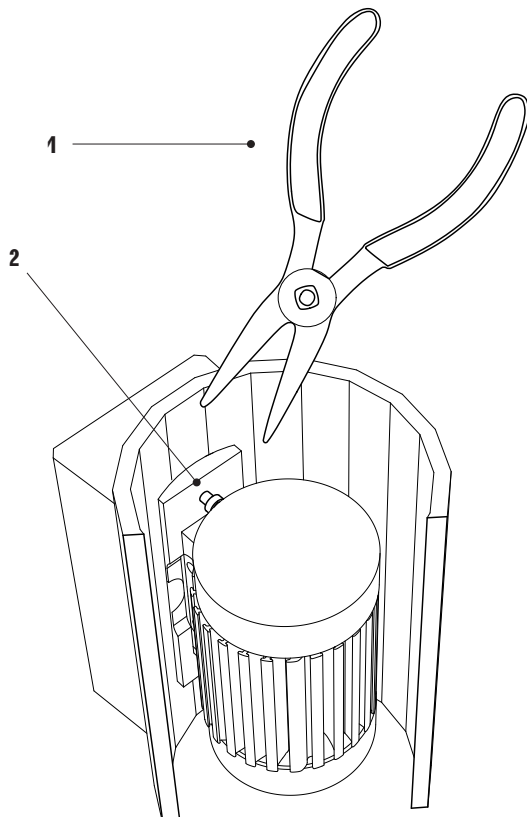


Diagram 7

Connecting lamp shade to wall

1. Long nose small pliers (not supplied)
2. 2x supplied M3 fixing screws to secure LED to silicone



5 Securing the lamp to the back plate

The lamp is fixed to the silicone back plate using the two provided black M3 socket cap screws which are located in the nylon fixing plate (these screw into a threaded brass insert which is located in the silicone piece).

First, REMOVE the NUTS from the socket cap screws (on the outside of the terracotta shade), these are only used for securing the parts during transit. The thin plastic washers can stay in place (see diagram 6).

Note!

- Removing the nuts will loosen the led/heatsink assembly inside the shade. Do this carefully so that the assembly doesn't damage the ceramic shade.

Next connect the top screw. Using your fingers or a pair of long-nosed pliers tighten the screw until it grips into the insert inside the silicone. Use the pliers to turn the screw repeatedly until firmly holding the LED and ceramics to the backplate (see diagram 7).

Repeat with the second screw.

Note!

- Do not touch the LED COB if the lens cap is removed
- Ensure the screws provided have gripped in to the threaded brass insert (Tappex) and are securely holding the lamp in place.
- Make sure the shade is the correct way round - the thicker rim edge should point downwards.
- If any cushioning / packaging material is inside the ceramic shade, make sure this is removed before use.

Diagram 7

Location wall template 1:1

Template for fixings

If planning the electrics in advance of having the lights, use this A4 printed sheet of paper to locate the screw centres and locate / size the hole in the wall

When printing this page- make sure you print it at 100% (Select custom scale 100%) and check the measurements are correct or the template will be the wrong size.

