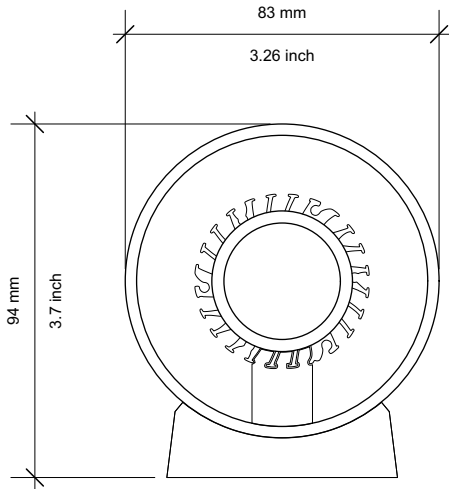


Dimensions- Top view



Design by

Thomas Housden

Material & finish

Through colour porcelain

Dimensions & weight

Ø83-84mm, H.142-144mm, 0.6-0.7kg
Projection from wall: 94mm

Lamp type & wattage

- Integrated low voltage LED, 2700k or 3000k, 14w
- Approx 900 lumens
- LED driver (350mA constant current) supplied
- Not suitable for surface mounted conduit electrical distribution
- Dimmable with suitable dimmers/interfaces

IP rating

IP20

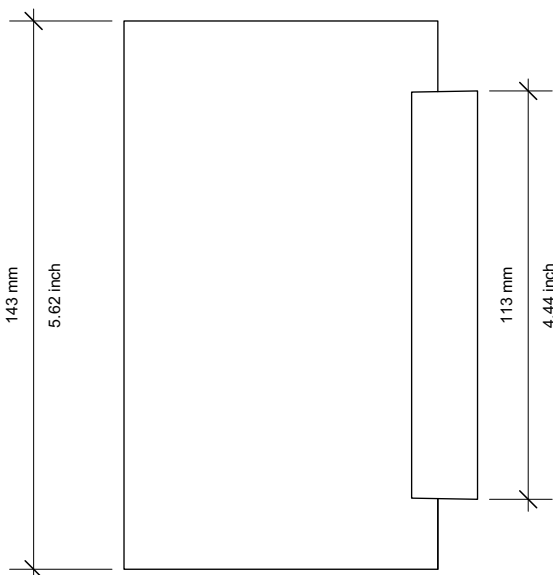
Wiring certification

CE / UKCA EN60598

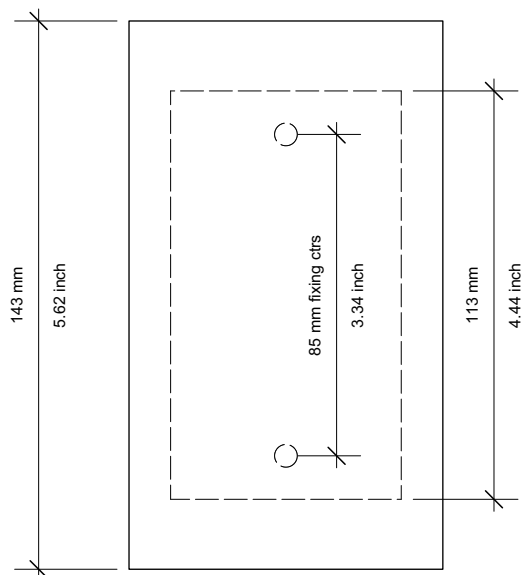
Options

Colour: dark grey, light grey, pink, cream

Dimensions- Side view



Dimensions- Front view





Isla Safety Information EU/UK

- Please read the instructions before assembly or installation.
- Make sure mains power is OFF during installation.
- Be sure to use a suitably qualified person for installation as the lights require connecting to mains power.
- Install the light to all relevant local building codes and standards.
- Note the integrated LED modules are low voltage LEDs with a remote driver/transformer required..
- Ensure the driver provided is used at the correct mA setting as incorrect drivers or driver settings can damage the LED and cause overheating.
- Make sure the wall is suitably prepared to ensure a solid fixing method and substrate.
- The ceramic shades are breakable and should be treated suitably.
- Do NOT touch the LED surface if the lens cap is removed.
- Do NOT touch the LED module when turned on if the lens cap has been removed or broken.
- Do NOT disassemble the LED module from the heatsink.
- Do NOT bring the lamp in contact with water or locate the lamp in a wet location.
- If the cables are damaged, these must only be replaced by the manufacturer or a similarly qualified person.
- Used electrical equipment (WEEE) should not be mixed with general household waste. Please recycle. Our products can be dismantled prior to disposal.
- For LED module replacements contact Hand & Eye.

Diagram 1

Lamp components & assembly

1. Ceramic shade
 2. Ceramic backplate
 3. LED assembly
 4. LED lenses and edge cap
 5. LED fixing block
 6. Wago electrical connectors
 7. Heavy duty plasterboard fixings
 8. Brass bolt
- (low voltage driver - see diagram 3)

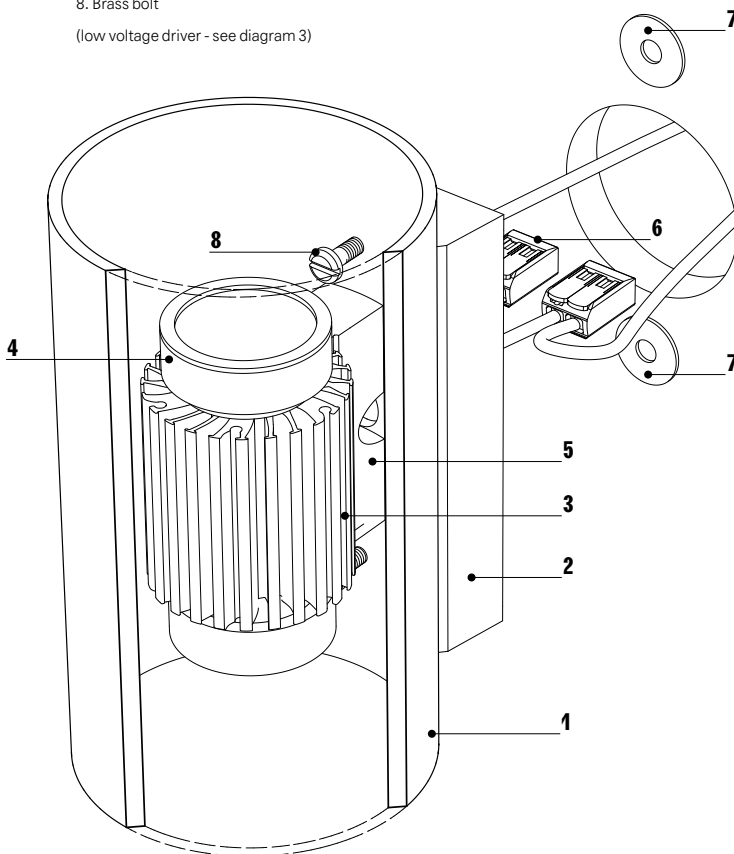
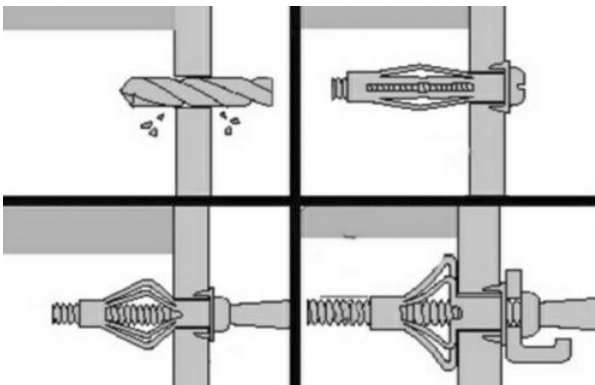


Diagram 2

Rawplug Interset Diagram



Lighting for all the senses.

Steps

The Isla wall light comes pre-assembled for safe transit with parts 1,2,3,4 & 5 pre assembled. To install the lamp follow the below steps carefully.

1 Install the external driver

The lamp requires a driver to provide the low voltage power supply to the integrated LEDs.

We recommend installing the driver in an accessible location such as a cupboard or services room.

Connect the mains side of the driver to the mains power and run suitable cables from the driver to the location of the wall light.

For full information on the maximum distance possible between driver and LED please contact the driver manufacturer. As a guide, most of the drivers that we supply can be located up to 20m (65 foot) away from the wall light using a minimum cable section of 0.5mm² or further (potentially up to 50m) if 1mm² cable is used.

See diagram 3 for electrical wiring diagram

Note!

- A qualified electrician **MUST** be used to connect the wall light to the mains power.
- Always ensure the mains power is turned OFF when installing the lamp.
- These LED modules are low voltage LEDs that require a remote driver of maximum 350mA

2 Locate wall fixings

The lamp is supplied with 2 heavy duty plasterboard fixings (7). Locate the desired lamp location and mark the two fixing holes located at the top and bottom of the ceramic back plate.

Note!

- This dimension should be 85mm but as the lamp is ceramic there can be minor variations. We recommend offering up the ceramic back plate to check.

Drill two 7mm holes and insert the heavy duty rawplugs. Thread in the bolt and tighten into the rawplug **without** the ceramic lightshade attached. This will secure the rawplug to the back of the plasterboard.

Remove the bolt from the rawplug.

<https://www.rawlplug.co.uk/product/sm-interset/>

Diagram 3

Wiring diagram

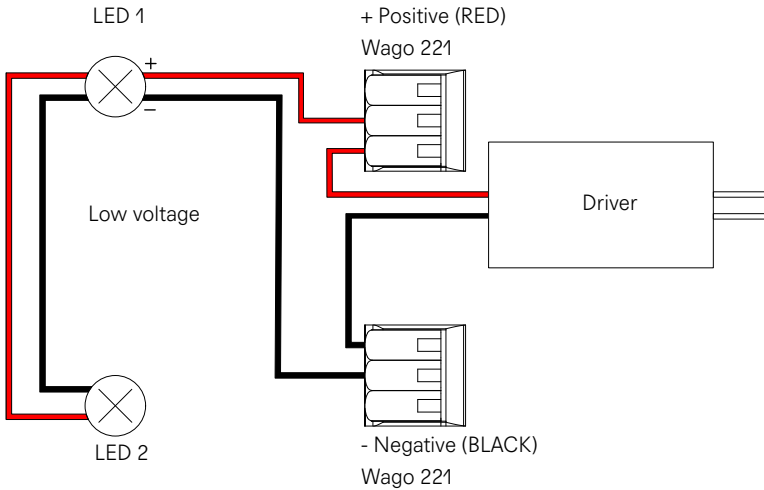
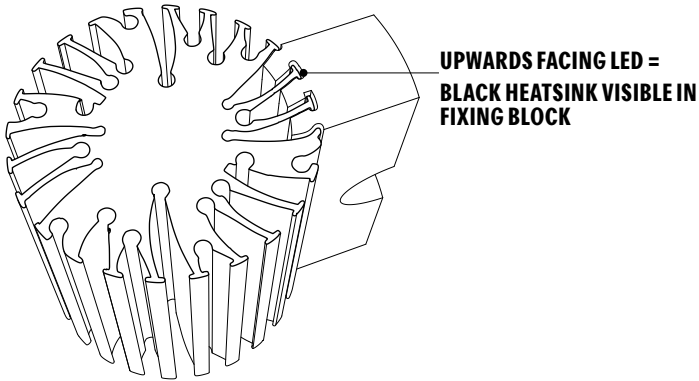


Diagram 4

Correct lamp direction



3 Connect lamp to driver

Connect the low voltage cables from the driver to the LED cables ensuring to the correct polarity as shown in the wiring diagram 3.

Adjust cable length to suit.

Note!

- Ensure mains power is switched off
- Check the driver is set to 350mA if the driver has multiple mA settings!
- Test lamp is working before securing to wall

4 Check lamp is facing correct direction

The light has a correct up and down side. The LED (3) can slide off the LED fixing block (5) if located upside down. Ensure the the fixing block stop is located at the bottom of the lamp. See diagram 4.

5 Secure lamp to wall

Locate the ceramic shade against the wall and align the top fixing hole with the top fitted rawplug heavy duty plasterboard fixing (7). Thread the brass bolt (8) through the shade and into the threaded rawplug (7). Tighten gently using fingers or a small screw driver to fingertight. Do not overtighten as this may crack the ceramic.

Repeat process on bottom fixing position.

Note!

- Do not overtighten fixings screws