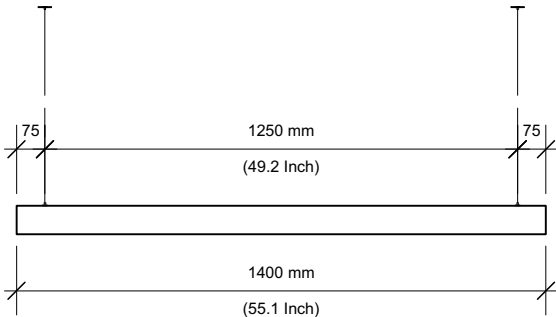
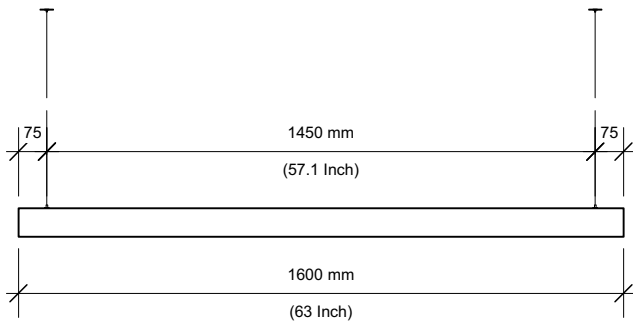


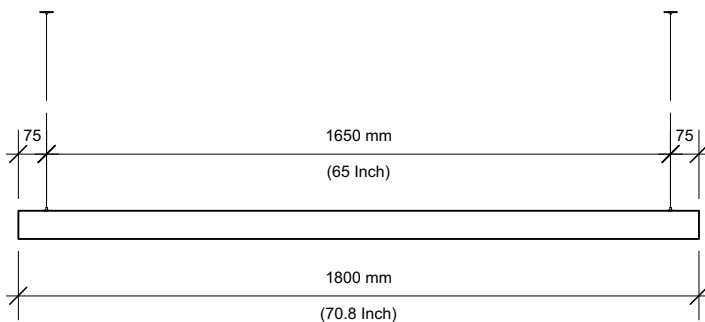
Dimensions- Small, 1400mm/55.1 Inch



Dimensions- Medium, 1600mm/ 63 Inch



Dimensions- Large, 1800mm/ 70.8 Inch



Design by

Thomas Housden

Material & finish

Terracotta extrusion & silicone caps

Dimensions & weight

L.1400mm H.78mm W.51mm, 6kg
(L.55.1inch H.3inch W.2inch, 13.2lb)
L.1600mm H.78mm W.51mm, 8kg
(L.63inch H.3inch W.2inch, 17.6lb)
L.1800mm H.78mm W.51mm, 10kg
(L.70.8inch H.3inch W.2inch, 22lb)

Power supply

EU/UK Mains dimmable driver supplied

USA Standard (fixed output) driver supplied

Optional interfaces/power supplies eg Dali, 1-10V, wall mounted dimmer module, remote control module.

Lamp type & wattage

Standard: 24v DC LED 19w per metre

2700K or 3000K colour temp

Higher output option: 24v LED, 24w per metre, 3000k

IP rating IP20

Wiring certification

CE, EN60598



A-Beam Safety Information EU

- Please read these instructions IN FULL and carefully BEFORE commencing assembly and installation.
- We recommend the use of a professional trades person with suitable qualifications for the installation of electrical lamps.
- Install the light in conformity to all relevant local building codes and regulations.
- Products with electronic ballast / drivers must not be installed on the same electrical circuit as products with inductive loads, for example magnetic fluorescent luminaires, motors or ventilators. Inductive loads can generate excessive voltage surges and can damage electronic ballasts.
- Ensure correct connection of cables (positive / negative). The LED will not work if polarity is reversed. Use an electrician!
- This lamp is made of terracotta. Caution should be taken not to hit the lamp with heavy objects that could cause the ceramic to break. The lamp has a bonded aluminium core to prevent structural failure. Sharp parts and fragments may crack off the lamp in the event of impact.
- Always use this lamp either above a table / work surface or at a height above head height. The lamp is solid and heavy so the possibility to walk into the lamp should be avoided.
- Do not hang off the lamp or lean on the lamp to avoid adding weight to the lamp and suspension system. The lamp is designed to take 40kg per suspension cable but the fixing to the ceiling load capacity will depend on the installation and is not designed to support excessive loading.
- If you want to source your own power supply, make sure that this is SELV and suitable for the LED strip supplied (ie 12 or 24v DC) constant voltage.
- LED light source must be replaced only by the manufacturer or a similarly qualified person.
- If the external cables are damaged, they must be replaced by the manufacturer or a similarly qualified person.
- Used electrical equipment (WEEE) should not be mixed with general household waste. Please recycle. Our products can be dismantled prior to disposal.

Diagram 1

Lamp components

1. Fixing plate with screw holes and threaded hole for clamp (screws not supplied)
2. 'Ceiling rose' cover plate (white) x2
3. Cable clamp x2
4. Powered suspension wire 2m x2 (stainless steel outer cover with copper core)
5. Beam cable clamp + nut x2
6. A-Beam extrusion x1
7. Aluminium heat sink + LED x1
8. Diffuser x1
9. Silicone end cap x2

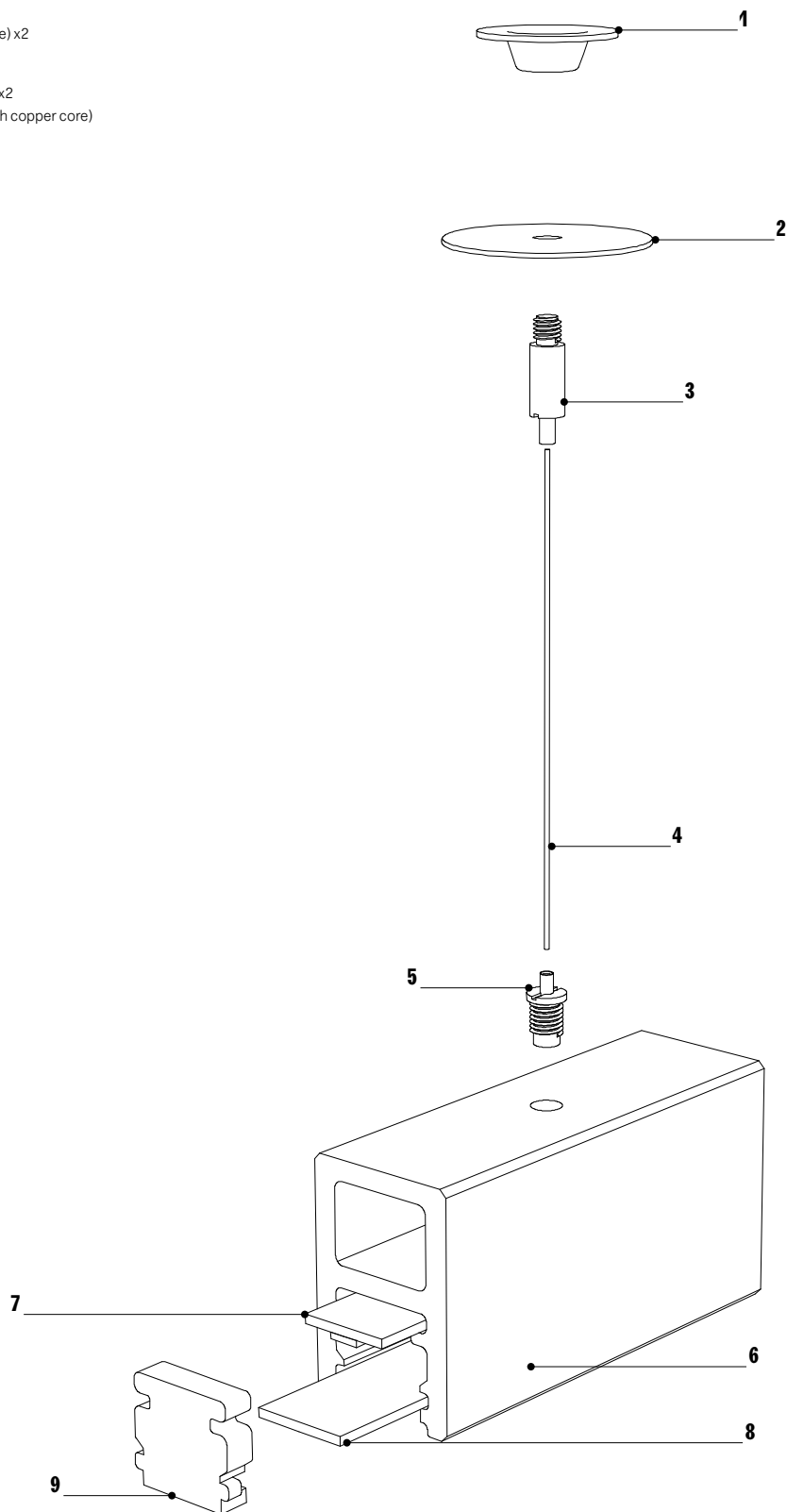


Diagram 2

Spacing diagram

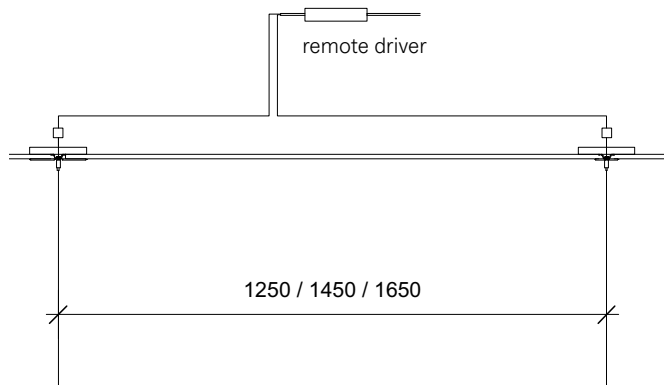
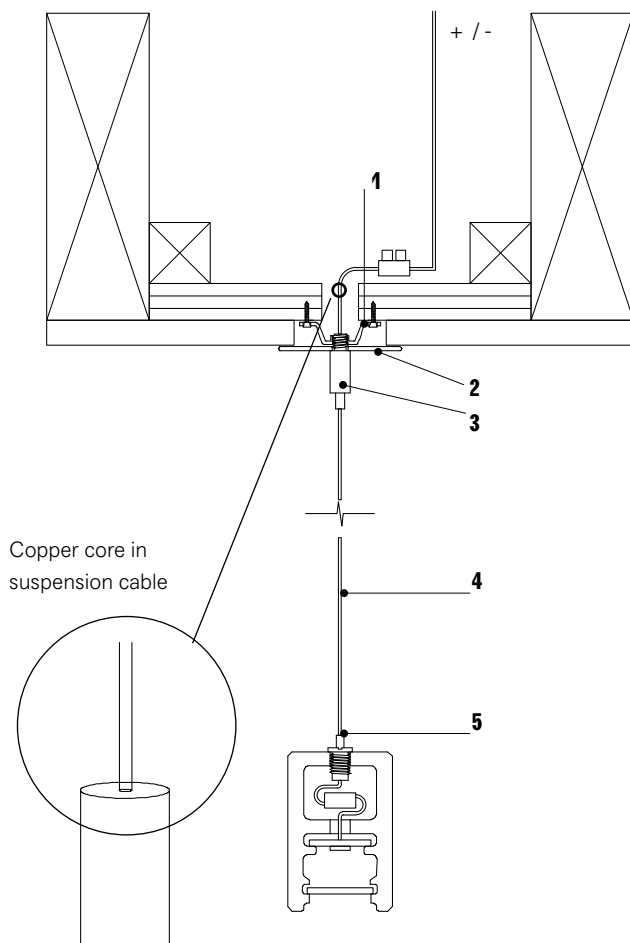


Diagram 3

Suspension diagram



Steps

1 Connect the transformer

Connect the supplied driver/transformer to mains electrics and run a positive feed and negative feed to the required suspension points. Suspension cable centres are 75mm in from the ends of the beam so cables should be located apart by the following dimensions:

1400 beam = 1250mm

1600 beam = 1450mm

1800 beam = 1650mm

The driver/transformer is to be located max 10 metres from light source. Ensure min 1mm copper core cable runs from driver/transformer to junction box. Ensure this is prepared prior to installing the ceiling. We recommend locating the driver/transformer in an accessible cupboard or behind the ceiling.

2 Locate 12V power cables

Drill a 20mm hole at each of the suspension points (as noted above). Pull the negative driver cable (12v) through one and the positive driver cable (12v) through the other in preparation for connecting the power.

3 Prepare suspension assembly

Thread the powered suspension cable (4) through the ceiling clamp (3), then thread the ceiling clamp (3) through the 'ceiling rose' cover plate (2) and fixing plate (1) as shown in diagram 3.

Note!

- The powered suspension cable will push through the clamp be automatically clamped so it can't pull out. To release the cable, push up on the clamp's 'nipple' whilst pulling the cable.

Connect the powered suspension cable (4) to the negative or positive power feed from the transformer below the ceiling using the Wago block supplied. Then push the connector block through the 20mm ceiling hole.

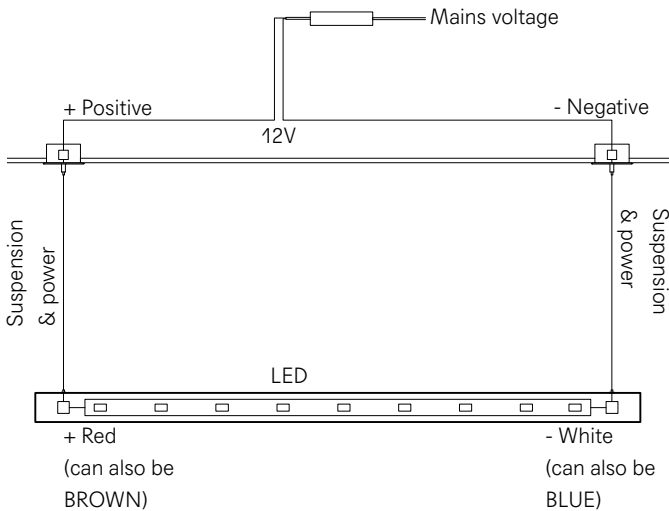
Secure the assembled fixing plate (1) / 'ceiling rose' cover plate (2) / clamp (3) over the hole using suitable screws (not provided).

Note!

- Ensure the two fixing plates are not connected to each other through conductive materials such as metal trays or ceiling suspensions systems. The suspension cables must remain isolated! Make sure to note which suspension cable is positive / negative to connect it to the correct LED cable.
- Ensure a suitable substrate is used to fix the fixing plate to. We recommend a plywood pattress.
- Inside the suspension cable a tinned copper core cable is located. This should be exposed at the connection points. See diagram 3.

Diagram 4

Wiring Diagram



4 Hanging the A-Beam

Now that the suspension and power cables are safely hanging from the ceiling thread the powered suspension cables through the A-Beam clamps (5). These work in the same way as the ceiling level clamps.

Note!

- Make sure one person holds the ceramic light whilst the other pulls through the cables!
- Make sure you connect the positive powered suspension cable to the positive LED cable and the negative to the negative. See Diagram 4!
- Use a spirit level to get the lamp balanced.

5 Connecting the LED to power

Once the correct height has been achieved cut the excess powered suspension cable. Cut the cable just outbound of the A-Beam top chamber.

Reveal the inner copper core cable and cut the stainless steel suspension cables short.

Now connect the powered suspension cable to the LED cable. Make sure positive is connected to positive and negative to negative. Make sure the LED cable is sufficiently exposed before inserting into Wago connector.

6 Hide Connections

Now push the power and suspension cable, Wago connector block and LED cable in to the top chamber of the beam.

Additional Options!

- We can supply larger ceiling roses allowing for access above the ceiling if the driver is to be located in the ceiling.
- If the ceiling is on a pitch we can supply special ceiling clamps designed for various pitched roofs.
- We can supply the A-Beam with a standard 2 core power flex at one end instead of the low voltage suspension and power cables.