

Melina Wall Light Datasheet



Design by

Mentsen

Material & finish

- Raw brass wall fitting
- Matt glass in either opal or clear-etched finish

Dimensions & weight

Ø165mm, H.127mm (USA H.133mm), 0.85kg
Ø 6.5inch, H. 5inch (USA H.4.44inch), 1.87lb

Lamp type & wattage

- G9 lamp holder, max 6W LED (bulb not included)
- Dimmable
(if used with compatible dimming controls and bulbs)

IP rating

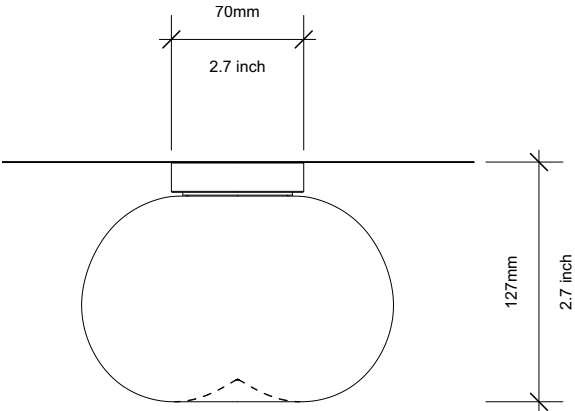
IP44 (UK/EU version)

Wiring certification

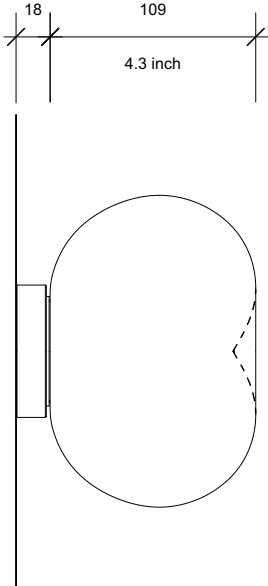
CE, EN60598



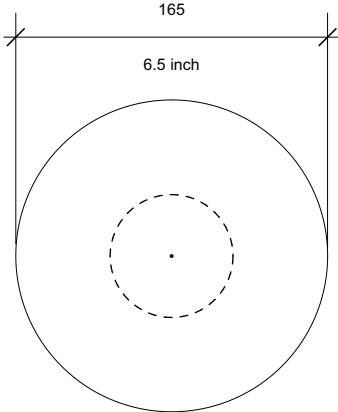
Dimensions- Top View



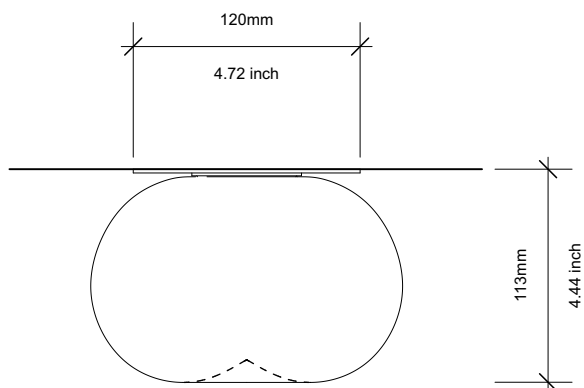
Dimensions- Side View



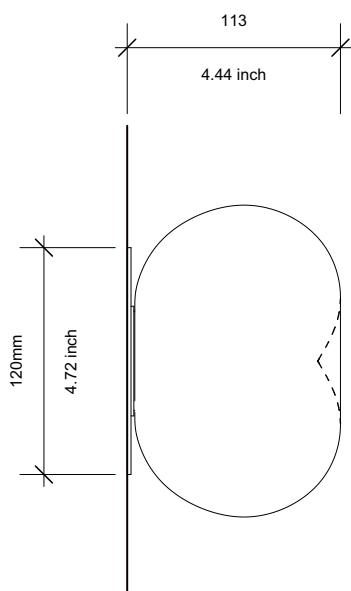
Dimensions- Front View



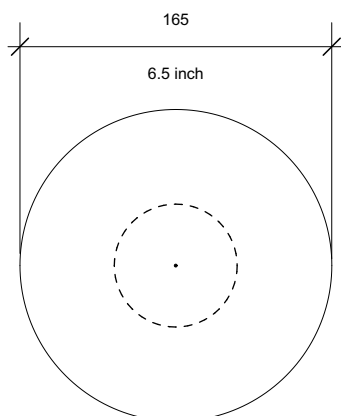
Dimensions- Top View



Dimensions- Side View



Dimensions- Front View



NOTE for USA version!

The US version of the Melina Wall Light differs slightly from the photos shown on the data sheet.

The brass back mount is a wider, flat plate, designed to fit onto a 4 inch Raco back box, as shown in these diagrams.