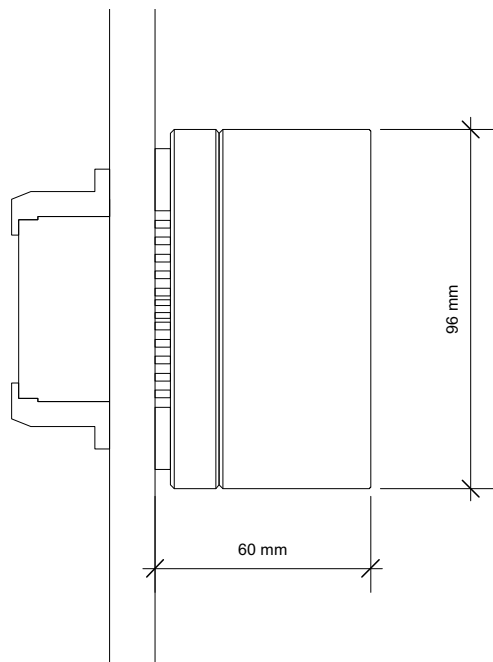

Dimensions- Side view



Design by

Thomas Housden

Material & finish

Anodised aluminium and silicone

Dimensions & weight

Ø96mm, 0.4kg

Projection from wall: 60mm

Lamp type & wattage

- Integrated 4W LED, 230V mains connected, 2700k
- Dimmable with suitable dimmers/interfaces
- Not currently available for USA

IP rating

IP44 (front face)

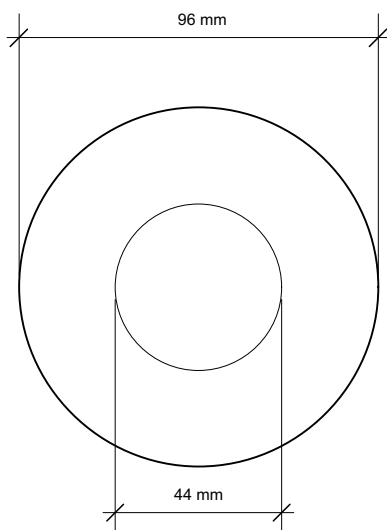
Wiring certification

CE, EN60598

Options

Silver, Gold, Green or Black

Dimensions- Front view





Poly Safety Information EU

- Please read the instructions before assembly or installation.
- Make sure mains power is off during installation
- Be sure to use a suitably qualified person for installation as the lights require connecting to mains power
- Install the light in conformity with all relevant local building codes and regulations.
- Note the integrated LED modules are 230V mains connected units (with no external transformer)
- Do NOT remove the plastic casing around the LED module. This is a watertight module.
- Do NOT touch the LED module when turned on if the casing has been removed or broken (230V)
- Ensure the LED module is firmly fitted to the aluminium backplate. The LED module must be in secure contact to ensure it acts as a heat sink!
- Make sure the wall is suitably prepared to ensure a solid fixing method and substrate
- Ensure lamp is located in only in bathroom zones appropriate for the IP rating (front face IP44)
- If the cable is damaged, this should only be replaced by the manufacturer or a similarly qualified person.
- Used electrical equipment (WEEE) should not be mixed with general household waste. Please recycle. Our products can be dismantled prior to disposal.

Diagram 1

Lamp components

1. Silicone lens
2. Water resistant LED module
3. Aluminium back plate and heat sink
4. Electrical back box (dry liner box) (Optional)
5. Nylon bolts to secure LED to back plate & back box
6. Additional holes for screw fixing if not using back box
7. Power flex cable connected to LED

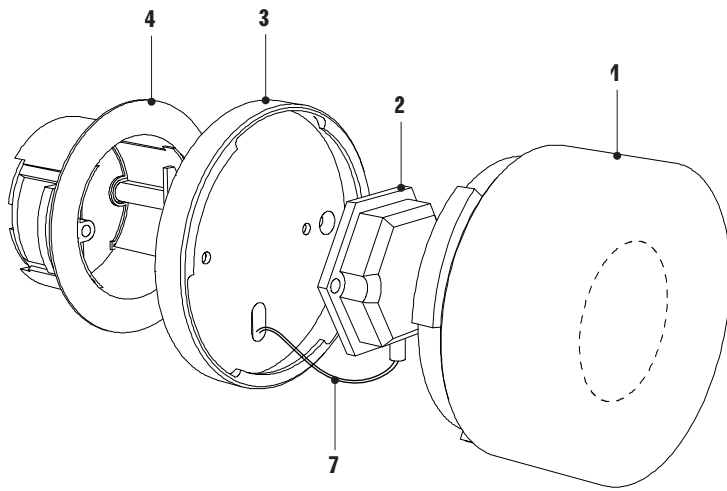
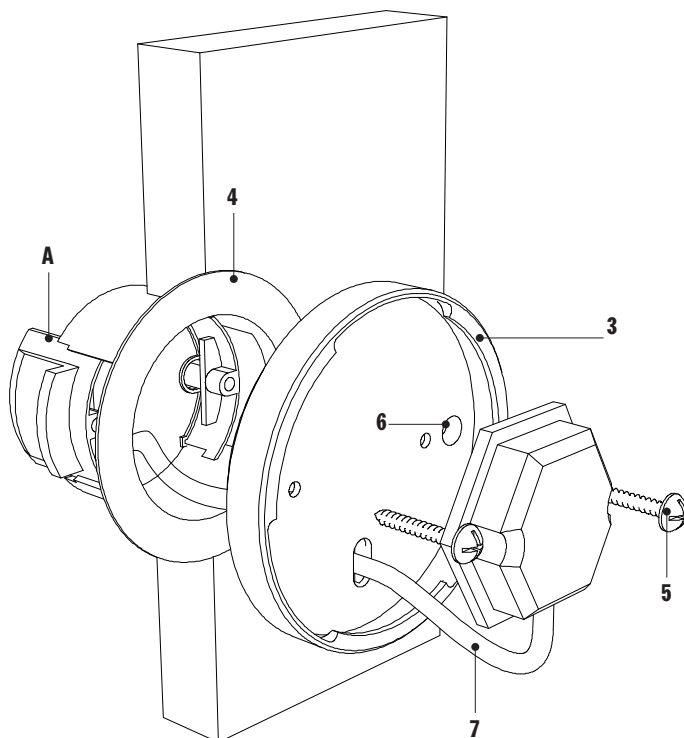


Diagram 2

Assembly with back box



Steps

1 Making a hole in the wall

Create a 60mm hole in the plasterboard wall to allow for the Appleby dry liner circular back box to be installed.

Note!

- If not using the supplied electrical back box (4) then attach the LED (2) to the metal plate using the short nylon screw and metal nut (as per diagram 3) BEFORE attaching the metal plate to the wall. The LED MUST be attached using the nylon screws to comply with Class II electrical norms.

2 Fitting the back box

Fold the yellow wings (A) inwards and push the backbox (4) in to the wall. Click the wings (A) back in to position behind the plasterboard. (Diagram 2)

Note!

- If the lamp is being fixed to a masonry wall without a back box use masonry screws and wall plugs, see diagram 3. The aluminium back plate can be fixed to the wall using the additional holes (6) on the aluminium back plate (3). If using this method then the LED module MUST be secured to the back plate using the small nylon bolts and metal nuts supplied (see diagram 3). The LED MUST be firmly fixed to the aluminium (3).

3 Cable and power connections

Feed the mains power cable in to the back box and prepare for connection to the LED module.

Note!

- Ensure Mains Power is switched OFF

Feed the LED module cable (7) through the aluminium back plate (4). Then cut the cable as required and connect the LED to the mains electrical power inside the back box using the supplied connector block. As shown in diagram 4. Make sure that the secondary insulation of the cable is securely clamped in the connector box.

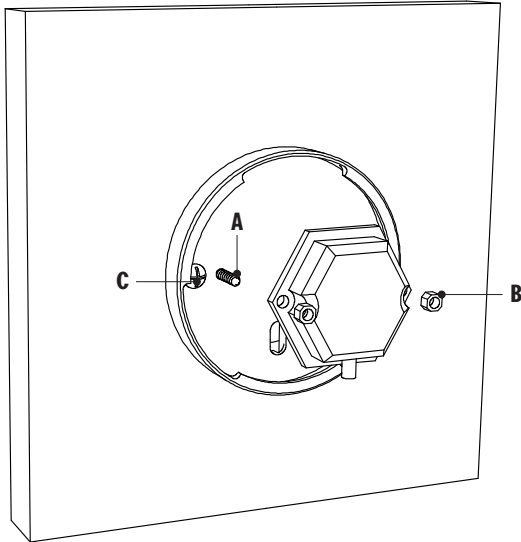
Note!

- A qualified electrician MUST be used to connect the wall light to the mains power. Always ensure the mains power is turned OFF when installing the lamp. These LED modules are 230V AC mains voltage lamps. The LED water resistant casing should NOT be removed.

Diagram 3

Assembly WITHOUT back box ONLY

- A. Nylon short bolts provided
- B. Metal nuts provided
- C. Alternative fixing location for walls without electrical back box



4 Attach the LED (with back box)

Once the electrical connections have been made, use the provided long nylon screws (5) to connect the LED module to the aluminium back plate and through into the back box to secure (see diagram 2).

Ensure the LED module is firmly fitted to the aluminium backplate. The LED module must be in contact to ensure it acts as a heat sink and preserve the lifespan of the LED!

5 Attach the silicone lens

To complete the lamp installation, slot the silicone into the aluminium back plate.

First align the silicone flanges with the aluminium cut outs. Once the silicone is located in the body of the aluminium twist the silicone clockwise until it begins to grip. Do not over twist.

Diagram 4

Electrical wiring diagram

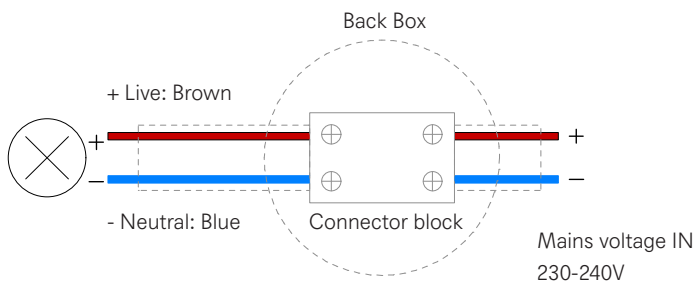


Diagram 5

Securing the silicone lens

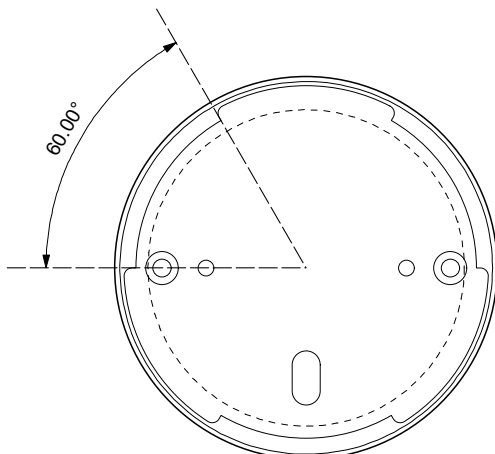
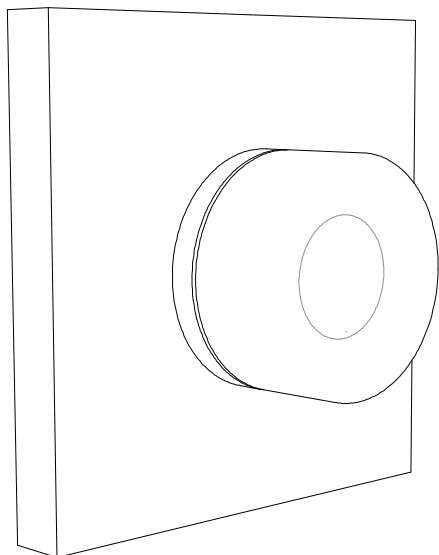


Diagram 6

Finished assembly

**Note!**

- The silicone is coated in an anti static finish that allows it to be cleaned easily. This can simply be wiped with a damp cloth or removed from the back mount for more thorough cleaning with water. Do not use dusting spray or anything else that leaves a residue for cleaning the lens.

Dimming Note:

- The LED is a low output 4W LED module. It can be dimmed using dimmers suitable for very low load LEDs, preferably trailing edge. To ensure smooth dimming please contact us for a list of tested and compatible dimmers.