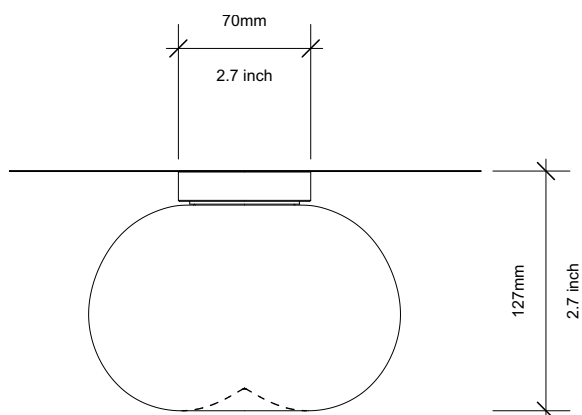
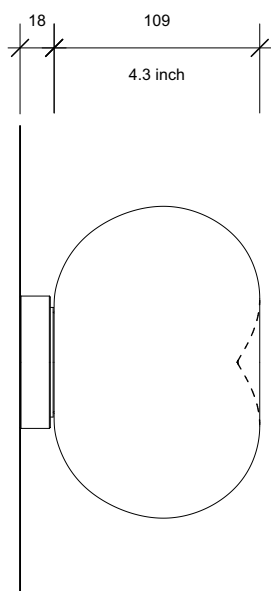


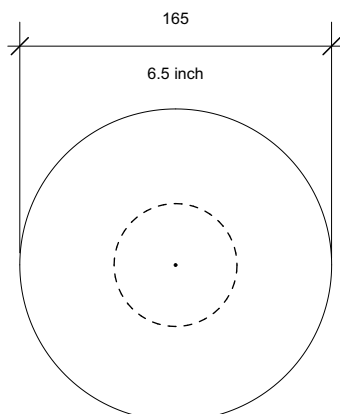
Dimensions- Top View



Dimensions- Side View



Dimensions- Front View



Design by

Mentsen

Material & finish

- Raw brass wall fitting
- Matt glass in either opal or clear-etched finish

Dimensions & weight

Ø165mm, H.127mm, 0.85kg
Ø 6.5inch, H. 5inch, 1.87lb

Lamp type & wattage

- G9 lamp holder, max 6W LED (bulb not included)
- Dimmable
(if used with compatible dimming controls and bulbs)

IP rating

IP20

Wiring certification

CE, EN60598

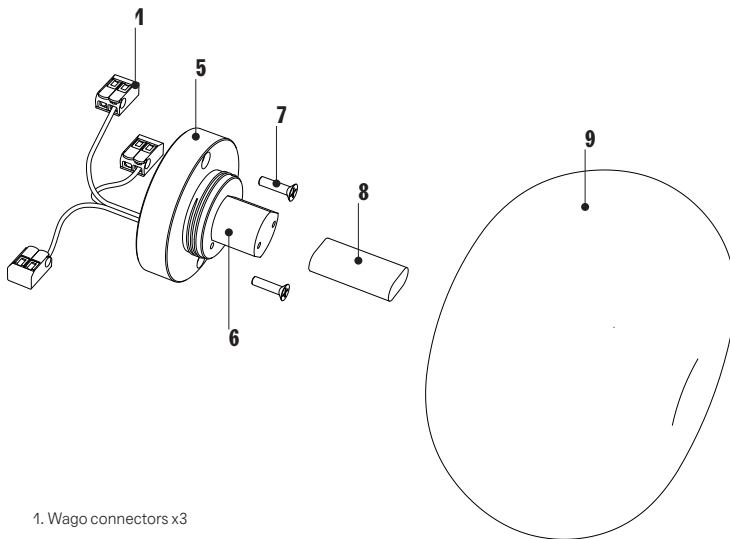


Melina Wall Light Safety Information

- Please read these instructions IN FULL and carefully BEFORE commencing assembly and installation.
- We recommend the use of a professional trades person with suitable qualifications for the installation of electrical lights.
- Install the light in conformity with all relevant local building codes and regulations.
- Make sure mains power is off during installation.
- Make sure that the light is securely mounted to the ceiling or wall and that there is a suitable substrate for this.
- Ensure you are working from a safe platform or ladder if working at height.
- Do NOT use a lightbulb of more than 6W.
- Take care with the glass shade as this can break if it is hit hard enough.
- If at any point your lightbulb breaks then, as with any light, do not touch the filament/LED part unless the power is turned off
- Always turn off the power before changing a lightbulb.
- Used electrical equipment (WEEE) should not be mixed with general household waste. Please recycle. Our products can be dismantled prior to disposal.

Diagram 1

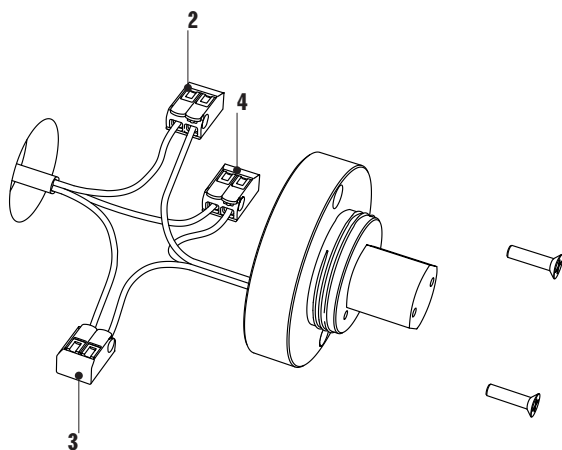
Exploded view of the Melina Wall Light



1. Wago connectors x3
2. Live cable connection
3. Neutral cable connection
4. Earth termination cable connection
5. Brass wall mount
6. G9 lamp holder
7. Screws for wall connection x2
8. G9 LED lightbulb (not supplied)
9. Glass shade and pre attached threaded metal attachment

Diagram 2

Electrical connections and attaching to the wall



Attaching & connecting the Mela light

Steps

1 Prepare the ceiling / wall

Make sure the ceiling or wall location has been suitably prepared allowing for a secure fixing substrate that can take the weight of the light. We recommend the light is fixed to a timber / timber pattress behind the wall.

2 Connect to mains electrics

Connect the pre-installed electrical cables to the mains supply using the Wago connectors and ensuring the correct polarity (see diagram 3).

Connections and excess cables can be housed in the brass wall mount.

Note!

- Always use a professional electrician
- Ensure the mains electrics are OFF prior to making the electrical connections
- If cables are cut on-site, remember to leave earth cable longer than the live/neutral cables to ensure earth continuity.

3 Secure the brass wall mount

Now that the connection has been made the brass wall mount can be secured to the ceiling or wall. The provided wall screws are supplied as an example, ensure suitable screws / fixing method are used depending on your wall substrate!

The wall mount should be flush to the wall and no movement should occur.

Note!

- A foam gasket is pre installed to the back of the brass mount to ensure the IP rating. This can only be removed if installed in IP20 locations.

Diagram 3

Wiring diagram

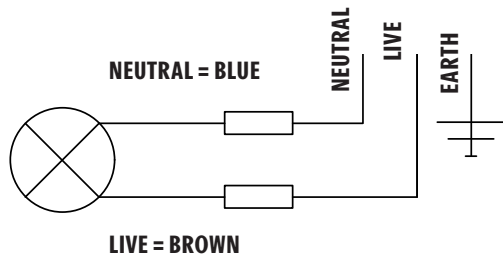


Diagram 4

Attaching the bulb

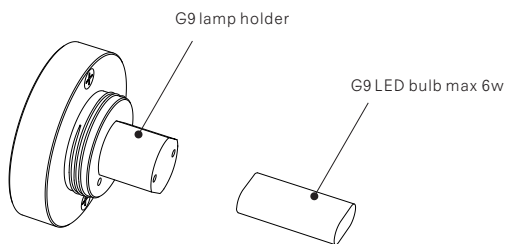
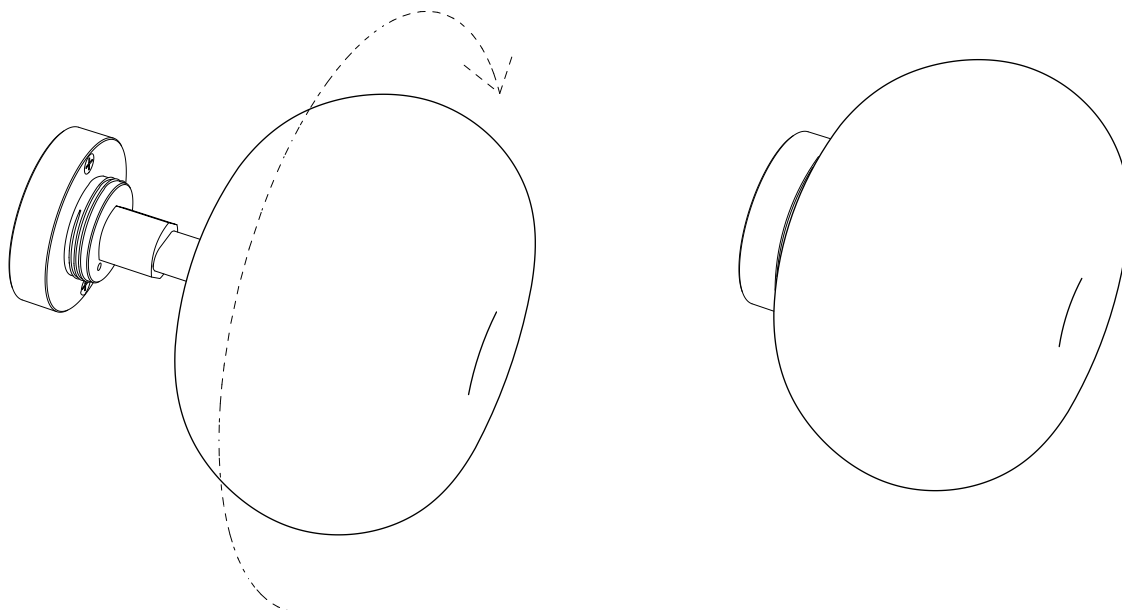


Diagram 5

Attaching the glass shade



4 Connect the light bulb

Select a suitable G9 LED light bulb with a maximum of 6W output. For a warm glow we would recommend a 2700K and for a cooler white glow a 3000K light bulb. Push in the bulb and test the lamp is working prior to the next step.

5 Unpacking the glass

Carefully remove the glass from the packaging. During installation be careful not to scratch or scrape the glass with any metal tools such as screw drivers as these can leave marks on the glass. The brass connector ring is pre attached to the glass shade.

6 Fitting the glass to the wall mount

The glass shade comes fitted with a brass collar which screws onto the brass wall mount. Locate the shade onto the brass wall mount, inserting the light bulb carefully through the open neck of the glass. Gently turn the shade clockwise keeping the glass parallel to the wall mount.

When the lamp meets the end of the thread stop turning the shade. Do not force or overtighten.

7 Protecting the glass

If further works are taking place on-site, the plastic bag can be used to cover the glass until all works have been completed to ensure the glass remains dirt free.