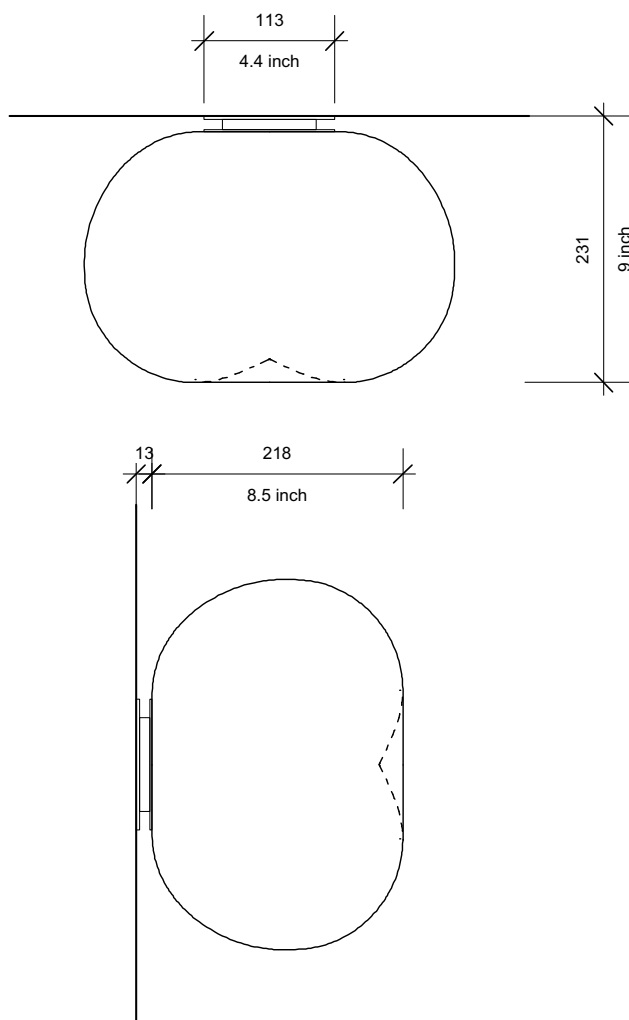
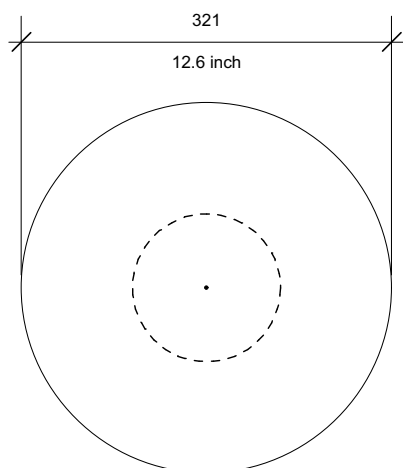


Dimensions- Side view



Dimensions- Top view



Design by

Mentsen

Material & finish

Opal acid etched hand blown glass
Aluminium wall and ceiling fixing

Dimensions & weight

Ø321mm, H.280mm, 3kg
Ø12.6inch, H.11inch, 6.6lb

Lamp type & wattage

- E27 lamp holder, max 15W LED (bulb not included)
- USA: E26 lamp holder, max 15W LED (bulb not included)
- Dimmable (if used with compatible dimming controls and bulbs)

IP rating

IP20

Wiring certification

CE, EN60598
UL Listed



Mela Wall & Ceiling Safety Information EU/USA

- Please read these instructions IN FULL and carefully BEFORE commencing assembly and installation.
- We recommend the use of a professional trades person with suitable qualifications for the installation of electrical lights.
- Install the light in conformity with all relevant local building codes and regulations.
- Make sure mains power is off during installation.
- Make sure that the light is securely mounted to the ceiling or wall and that there is a suitable substrate for this.
- Ensure you are working from a safe platform or ladder if working at height.
- Do NOT use a lightbulb of more than 15W.
- We strongly recommend using an LED lightbulb and we recommend an opal bulb to prevent shadowing by visible filaments.
- Take care with the glass shade as this can break if it is hit hard enough. We recommend installing the lamp above furniture such as tables or island units or above head height.
- If at any point your lightbulb breaks then, as with any light, do not touch the filament/LED part unless the power is turned off
- Always turn off the power before changing a lightbulb.
- If the external flex cable is damaged, this should only be replaced by the manufacturer or a similarly qualified person.
- Used electrical equipment (WEEE) should not be mixed with general household waste. Please recycle. Our products can be dismantled prior to disposal.

Diagram 1

Ceiling & wall rose attachment

1. Lightbulb (not supplied)
2. Lamp holder
3. Aluminium wall / ceiling rose
4. Fixing screws (not supplied)
5. Earthing point
6. Pre wired electrical connection

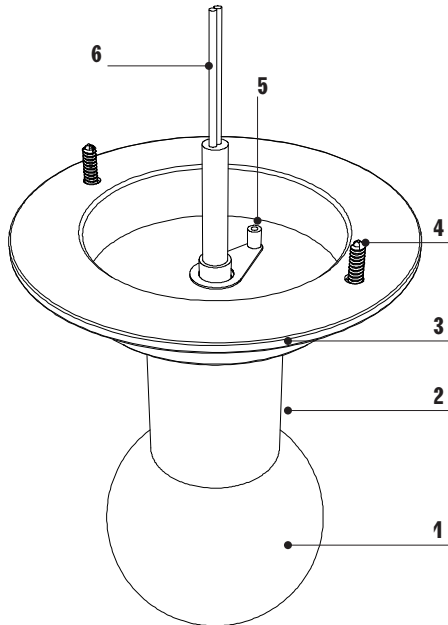
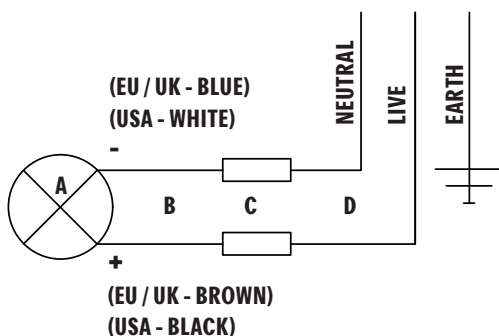


Diagram 2

Electrical wiring diagram

- A. Lamp
- B. Electrical flex cable
- C. Connector block/ blocks
- D. Supply



Attaching & connecting the Mela light (Diagram 1 & 2)

Steps

1 Prepare the ceiling / wall

Make sure the ceiling or wall location has been suitably prepared allowing for a secure fixing substrate. We recommend the light is fixed to a timber / timber battens behind the ceiling. Consult your builder / electrician.

2 Connect to mains electrics

Connect the pre-installed electrical cables to the mains supply ensuring the correct polarity.

Ensure all cables have been prepared to suitable lengths to ensure they can comfortably be housed in the aluminium ceiling rose (3) or behind the ceiling or wall. Use the supplied electrical connector block to make the connections.

EU/UK Note: The connector box should be properly screwed down to clamp the secondary insulation on the cables to maintain Class II (double insulation). An earthing terminal is also provided if required.

USA Note: two Wago connectors are provided. The earthing terminal can be used or a US grounding screw added to a back box.

Note!

- Always use a professional electrician
- Ensure the mains electrics are OFF prior to making the electrical connections

3 Secure the ceiling rose

Now that the connection has been made the ceiling / wall rose (3) can be secured to the ceiling or wall. Ensure suitable screws / fixing method are used depending on your substrate.

The rose (3) should be flush to the wall / ceiling and no movement should occur.

4 Connect the light bulb

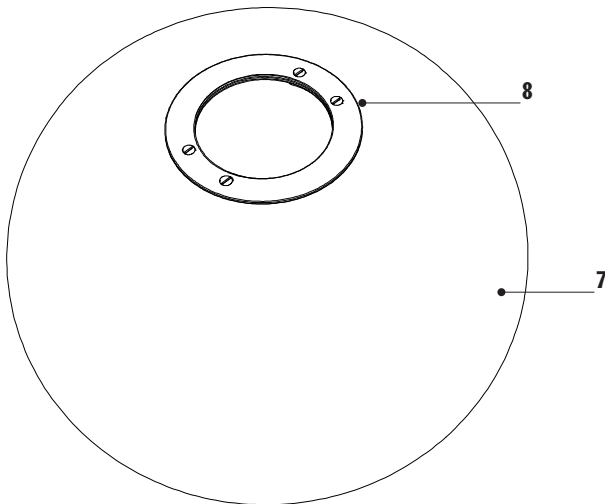
Select a suitable light bulb with a maximum of 15W output. We recommend LED lightbulbs. For a warm glow we would recommend a 2700K and for a cooler white glow a 3000K light bulb. Screw the bulb in and test the lamp is working prior to the next step.

Diagram 3

Glass components

7. Acid etched glass shade

8. Connection ring



6 Unpacking the glass

Carefully remove the glass (7) from the packaging. During installation be careful not to scratch or scrape the glass with any metal tools such as screw drivers as these can leave marks on the glass. The connector ring (8) is pre attached to the glass shade.

7 Fitting the glass to the rose

Carefully locate the glass (7) on to the rose (3) inserting the light bulb (1) through the open neck of the glass (3). Gently turn the shade clockwise keeping the glass parallel to the rose.

When the lamp meets the end of the thread stop turning the shade. Do not force or overtighten.

8 Protecting the glass

If further works are taking place on site make sure to place the plastic protective packaging back over the glass until all works have been completed to ensure the glass remains dirt free.

Diagram 4

Attaching the glass shade

