

**Design by**

Thomas Housden

Material & finish

Terracotta and white glaze

Dimensions & weight

Ø80mm, H.120mm, 0.6kg

Ø3.14 inch, H.4.72inch, 1.3lb

Lamp type & wattage

- Integrated low voltage LED (18v), 11w
- 2700k or 3000k
- Approx 700 lumens
- LED driver (500mA constant current)
- Not suitable for surface mounted conduit electrical distribution
- Dimmable with suitable dimmers/interfaces

IP rating

IP20

Wiring certification

CE, EN60598

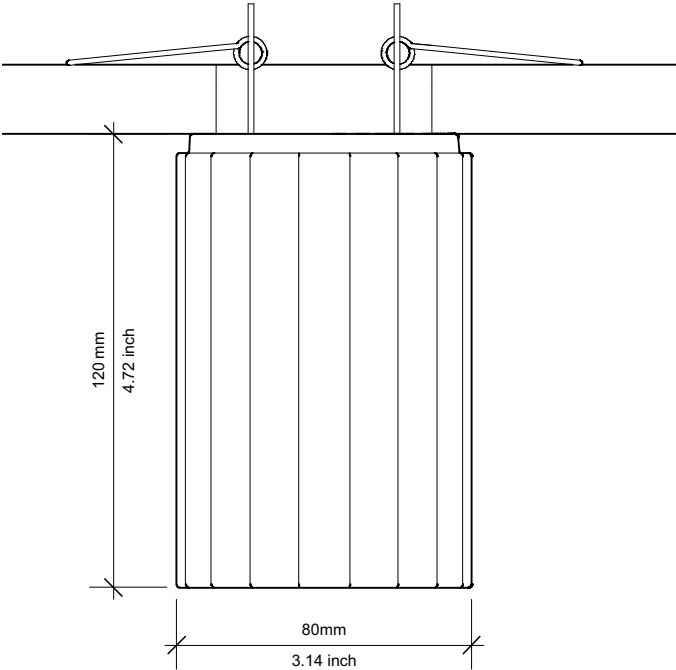
Options

Raw terracotta

Terracotta with a gloss white glaze



Dimensions- Side view



Dimensions- Bottom view

