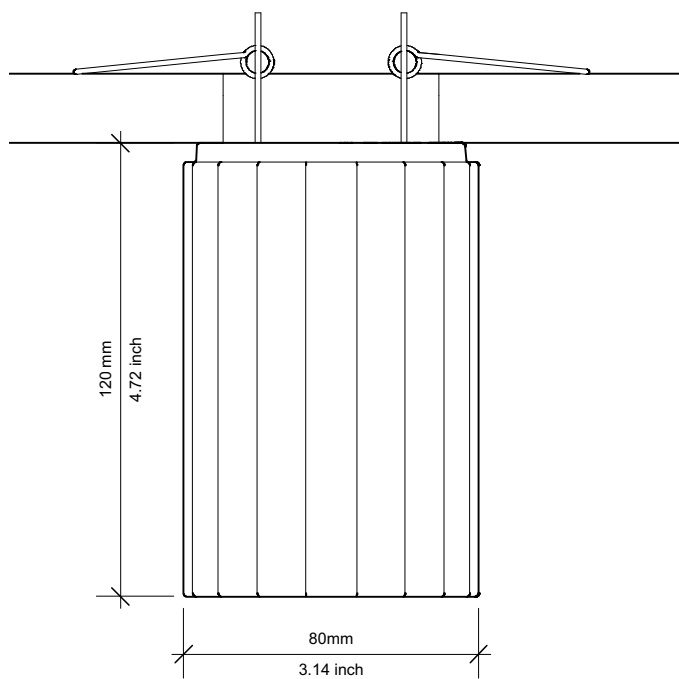
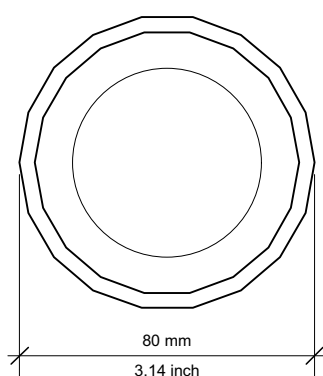


Dimensions- Side view



Dimensions- Bottom view



Design by

Thomas Housden

Material & finish

Terracotta and white glaze

Dimensions & weight

Ø80mm, H.120mm, 0.6kg
Ø3.14 inch, H.4.72inch, 1.3lb

Lamp type & wattage

- Integrated low voltage LED (18v), 11w
- 2700k or 3000k
- Approx 700 lumens
- LED driver (500mA constant current)
- Not suitable for surface mounted conduit electrical distribution
- Dimmable with suitable dimmers/interfaces

IP rating

IP20

Wiring certification

CE, EN60598

Options

Raw terracotta
Terracotta with a gloss white glaze

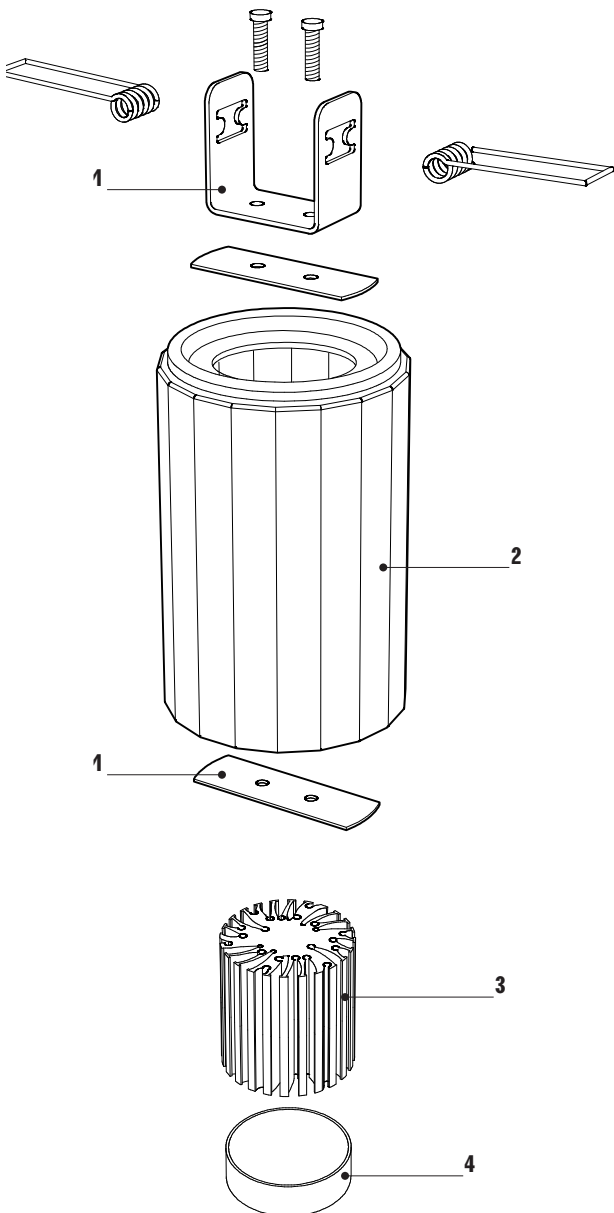


- Please read the instructions before assembly or installation.
- Make sure mains power is off during installation
- Be sure to use a suitably qualified person for installation as the lights require connecting to mains power
- Install the light in conformity to all relevant local building codes and regulations.
- Note the integrated LED modules are low voltage and a driver/transformer must be used with these. This can be located remotely.
- Do NOT remove the lens cap from the LED module
- Do NOT touch the LED module when turned on if the lens cap has been removed or broken
- Do NOT disassemble the LED module from the heatsink
- When working at height always ensure you are working from a safe platform
- The ceramic shades are breakable and should be treated suitably
- Do NOT bring the lamp in contact with water or locate the lamp in a wet location
- This lamp is NOT fire rated. If the local building regulations require a fire rated lamp ensure to build a suitable fire rated enclosure above ceiling level.
- Make sure that the light is fitted in a suitable ceiling void. Ensure nothing touches the lamp above ceiling level to ensure clear air circulation. Insulating materials should be 100mm clear of the outside edge of the fitting.
- If the cables are damaged, these must only be replaced by the manufacturer or a similarly qualified person.
- Used electrical equipment (WEEE) should not be mixed with general household waste. Please recycle. Our products can be dismantled prior to disposal.
- For LED module replacements contact Hand & Eye.

Diagram 1

Lamp components

1. Fixing plates, springs and screws
2. Ceramic shade
3. Heat sink (pre-screwed to LED)
4. LED and lens cap



Attaching the Gooseberry Ceiling to the ceiling (Diagram 1 & 2)

Steps

Note!

- The Gooseberry ceiling light comes with components 1, 2, 3, and 4 pre-assembled. Follow the instructions below for installation.

1 Cutting a ceiling hole

Cut a hole in the desired location in the ceiling using a 60mm cutting tool. The ceiling should be a minimum of 12mm thick and a maximum of 26mm thick.

Note!

- The Gooseberry ceiling light is not fire rated and if fire rating is required a suitable enclosure should be constructed behind the ceiling.

Diagram 2

Ceiling hole size

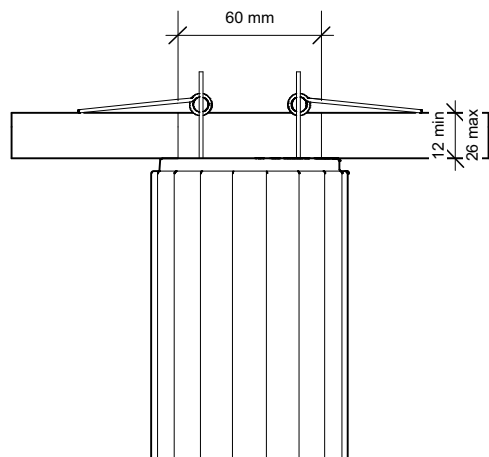


Diagram 3

Connecting LED to the transformer/driver

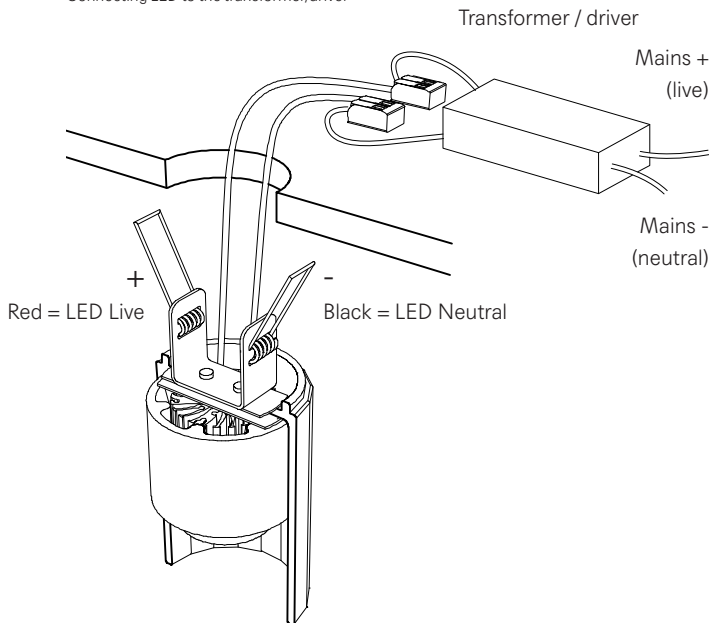
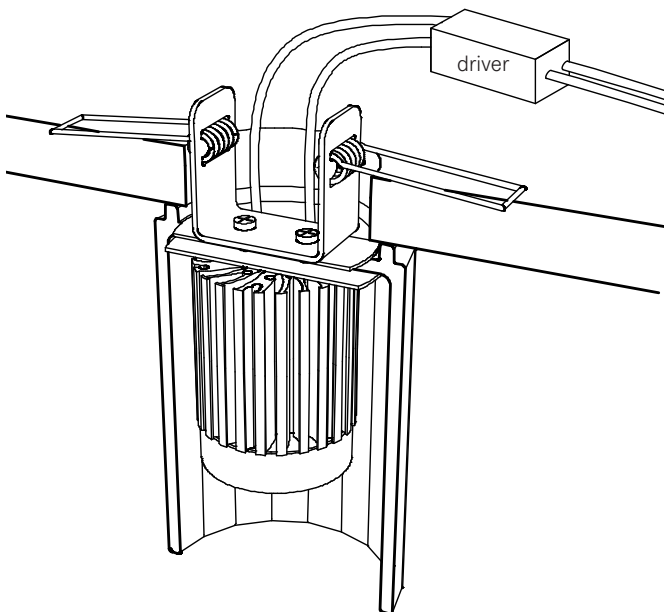


Diagram 4

Lamp attached to ceiling



Steps

2 Check mains power is off

Ensure the mains power is switched OFF before doing any work.

3 Connecting the electrics

Connect the provided transformer / driver to the mains power as marked on the supplied driver.

Make sure the LED cables are connected to the LOW VOLTAGE side of the driver and ensure the correct polarity.

Make sure that the cables are clamped securely into the driver, especially on the mains (AC) side to maintain the double insulation.

Please refer to the specific driver information for more detailed information and circuit diagrams as these can vary depending on the driver specified.

Note!

- These LED modules are low voltage LED's that require a remote driver of maximum 500mA.
- For full information on the maximum distance possible between driver and LED please contact the driver manufacturer. As a guide, most of the drivers that we supply can be located up to 20m (65 foot) away from the wall light using a minimum cable section of 0.5mm² (AWG 20) or further (potentially up to 50m) if 1mm² cable (AWG 17) is used.

4 Fitting the light

Now the LED is connected to the mains power the light can be attached to the ceiling. Pull the springs taut and hold these as you place the springs and metal piece into the ceiling recess. Once pushed in the springs will unfurl behind the plasterboard, holding it to the ceiling. Ideally use 2 layers of plasterboard on ceiling to give maximum torsion.