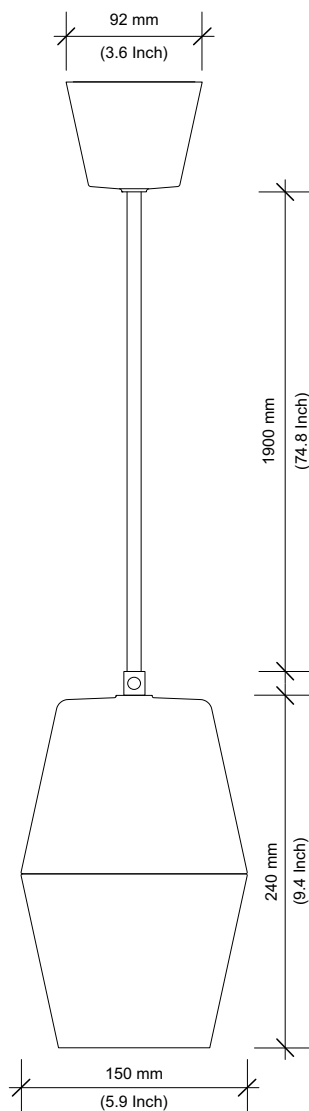
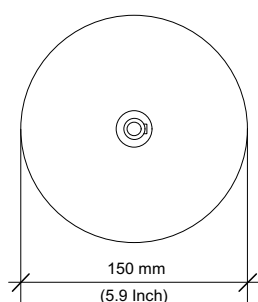


Dimensions- Side view



Dimensions- Top view



Design by

Thomas Housden

Material & finish

Earthenware and opal glass

Dimensions & weight

Ø150mm, H.240mm, 1.4kg

Ø5.9inch, H.9.4inch, 3.1lb

Lamp type & wattage

- E27 lamp holder, max 12W LED (bulb not included), 230v AC 50Hz
- USA: E26 lamp holder, max 12W LED (bulb not included), 120v AC 60Hz
- Dimmable (if used with compatible dimming controls and bulbs)

IP rating

IP20

Wiring certification

CE, EN60598

Options

Black or White gloss glaze

Hand & Eye



Updown Safety Information EU/USA

- Please read the instructions before assembly or installation.
- Be sure to use a suitably qualified person for installation as the lights require connecting to mains power
- Install the light in conformity with all relevant local building codes and regulations
- Make sure mains power is off during installation
- Make sure that the light is securely hung from the ceiling and that there is a suitable substrate for this.
- When attaching the ceiling rose ensure you are working from a safe platform or ladder
- Make sure the weight of the lights is not being taken by the electrical connection.
- Do NOT use a light bulb of more than 12W.
- Take care with the ceramic shade and glass as this can break if hit hard enough. We recommend installing the lamp above furniture such as tables or island units or above head height.
- If at any point your lightbulb breaks then, as with any light, do not touch the filament/LED part unless the power is turned off.
- Always turn off the power before changing a light bulb.
- If the external flex cable is damaged, this should only be replaced by the manufacturer or a similarly qualified person.
- Used electrical equipment (WEEE) should not be mixed with general household waste. Please recycle. Our products can be dismantled prior to disposal.

Diagram 1

Lamp components

1. Electric flex with woven fabric sheathing
2. Fixing top screw (and side grub screw)
3. Lamp holder pole and washers
4. Lamp shade (glass & ceramic)
5. E27 lamp holder (E26 USA)
6. E27 (E26 USA) light bulb max 12W LED (bulbs NOT supplied)

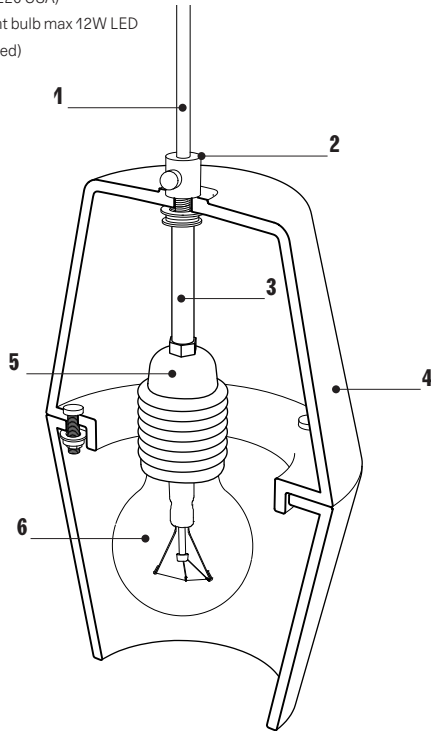
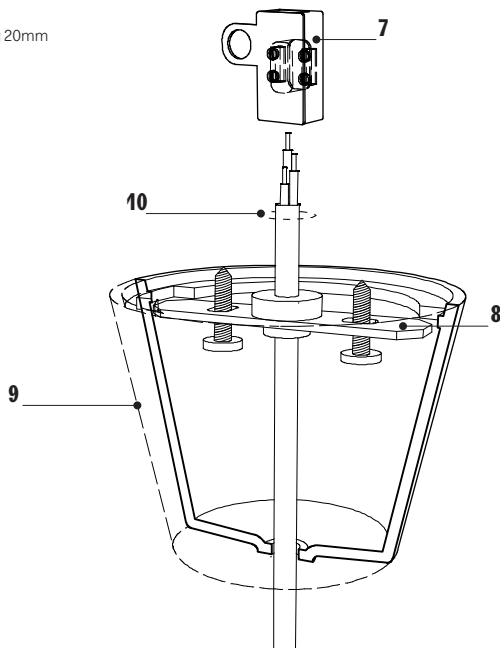


Diagram 2

Ceiling rose components- Option 1

7. Electrical connection box
8. Fixing plate / flex grommet (no screws supplied)
9. Ceiling rose
10. Hole in ceiling 20mm



1 Assembly

The Updown should come with parts 1, 2, 3, 4 and 5 pre-assembled as shown in diagram 1. If it does, then move to the next section otherwise:

Thread the flex (1) and the lamp holder assembly through the hole at the top of the lamp (4). Ensure the metal washer (3) is below one or two of the rubber washers (depending on the thickness of the glass). Then gently thread item 2 over the flex. Carefully thread this tight and take care not to twist the fabric sheathing of the flex (1). Tighten the side grub screw to clamp the flex.

2 Hanging and connecting the Updown

Assess the ceiling fixing point. The light should be hung from a suitable substrate that can take the weight of the light. No screws or hooks are provided, these should be selected to suit the ceiling substrate/material.

Decide on the hanging height and cut the flex (1) if necessary. To prevent fraying, tape the fabric with electrical tape after cutting and ensure the sheathing is not slack on the flex. Ensure electric cables have been suitably prepared for connection.

Note!

- There are a couple of options of how to hang the Updown. Either way make sure that the weight of the light is NOT taken by the ceiling rose OR the electrical connection.

3 Ceiling rose set up option 1

Drill a 20mm hole (25/32") in the ceiling (10) to allow the connection block (7) to go behind the ceiling.

Thread the flex (1) through the ceiling rose (9) and then through the flex grommet and fixing plate (8). The electrical connection to the mains can then be made in the ceiling void using the connector box provided.

Tighten the flex grommet grub screw (8) to securely clamp the flex. Screw the metal fixing plate (8) to the ceiling, with the metal circle/flex grommet centred over the hole. The metal circle should be at the top, as a spacer between the ceiling and the fixing plate

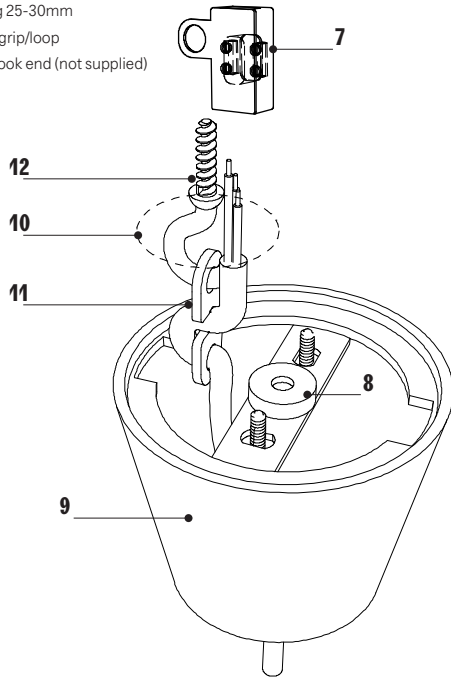
Slide the ceiling rose (9) up to the ceiling and align the slots in the ceramic with the ends of the fixing plate. Then twist the ceiling rose so that the ceramic is hanging on the metal fixing plate.

The weight of the light should be taken by the fixing plate and not the ceiling rose so make sure the flex is securely clamped!

Diagram 3

Ceiling rose components- Option 2

7. Electrical connection box
8. Fixing plate / flex grommet (no screws supplied)
9. Ceiling rose
10. Hole in ceiling 25-30mm
11. S-hook cable grip/loop
12. Screw with hook end (not supplied)



4 Ceiling rose set up option 2

Drill a 25-30mm hole (10) in the ceiling to the side of the fixing plate to allow the connection block (7) to go behind the ceiling.

Thread the flex (1) through the ceiling rose (9) and then through the S-hook (11). Use the double 'S' shape to clamp the flex in place, this ensures that no weight will be taken by the connection.

Secure a fixing hook to a suitable substrate either above the ceiling hole or below. Now hang the closed loop of the S-hook onto this to attach the lamp to the ceiling.

Screw the metal fixing plate (8) to the ceiling. Slide the ceiling rose up to the ceiling and align the slots in the ceramic with the ends of the fixing plate. Then twist the ceiling rose so that the ceramic is hanging on the metal fixing plate.

The weight of the light should be taken by the hook and S-hook NOT the ceiling rose so make sure the flex is securely clamped!

USA Note!

- The ceramic ceiling rose will not fit over a standard US back box. A standard, off the shelf canopy can be used instead. Refer to the manufacturer's instructions for installation.

5 Fitting a Light Bulb

Fit a screw-in bulb into the lamp holder (5) making sure not to apply too much sideways pressure to the pole (3).

An LED bulb, max 12W should be used.