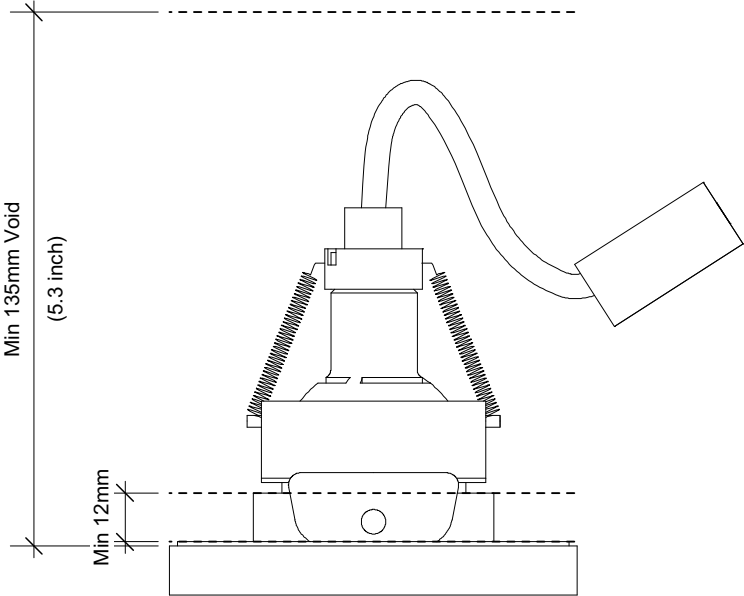
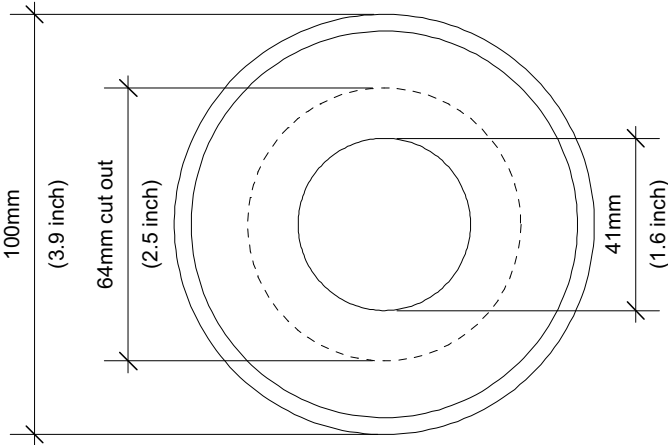


Dimensions- Side view



Dimensions- Top view



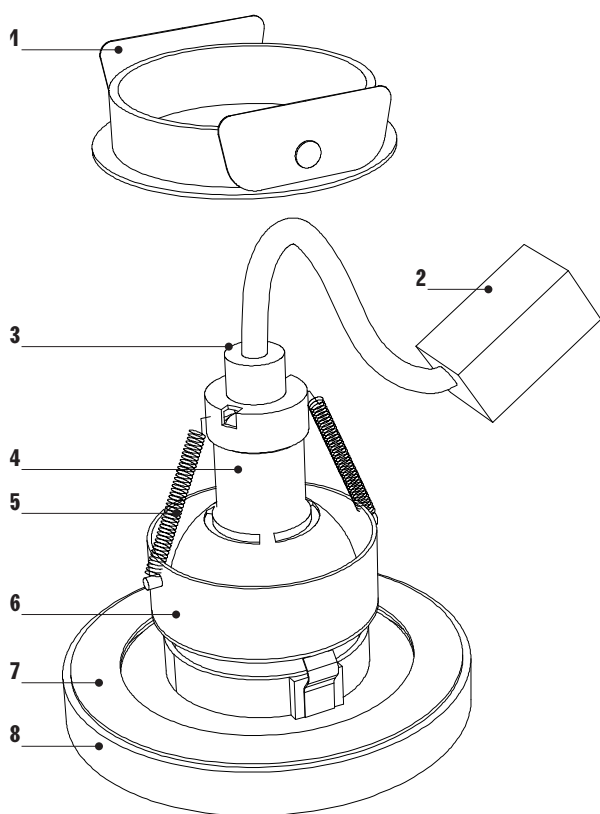


- Please read the instructions before assembly or installation.
- Be sure to use a suitably qualified person for installation as the lights require connecting to mains power.
- Install the light in conformity with all relevant local building codes and regulations.
- Make sure mains power is off during installation.
- Make sure that the light is fitted in a suitable ceiling void. Ensure nothing touches the lamp above ceiling level to ensure clear air circulation. Insulating materials should be 100mm clear of the outside edge of the fitting.
- This lamp is NOT fire rated. Any accessory such as firehoods used with this product must be approved by Hand & Eye to maintain guarantee.
- Do not use excessive force or power tools on the ceramic components. The terracotta is a robust material but if treated incorrectly can be broken. Broken ceramics can be sharp.
- Do NOT use a light bulb of more than 7W GU10 LED.
- If the cables are damaged, these must only be replaced by the manufacturer or a similarly qualified person.
- This spot light is suitable for use in IP44 zones or less only.
- If at any point your light bulb breaks then, as with any light, do not touch the filament/LED part unless the power is turned off.
- Always turn off the power before changing a light bulb.
- Used electrical equipment (WEEE) should not be mixed with general household waste. Please recycle. Our products can be dismantled prior to disposal.

Diagram 1

Lamp components

1. Ceiling attachment ring
2. Junction box
3. Lamp holder
4. GU10 bulb (not supplied)
5. Lamp springs
6. Spot light main body
7. Closed cell rubber gasket
8. Terracotta spotlight surround



Steps

The spot light is supplied in two parts. The ceiling fixing attachment and the fully assembled spotlight. The light bulb is not supplied and needs to be fitted.

1 Installing a GU10 bulb

Connect a GU10 LED max 7W LED bulb in to the lamp holder (3).

Insert the bulb inside the lamp holder body (6) as shown in diagram 1. Attach the springs to the top of the lamp holder (3).

Diagram 2

Fitting Ceiling Attachment

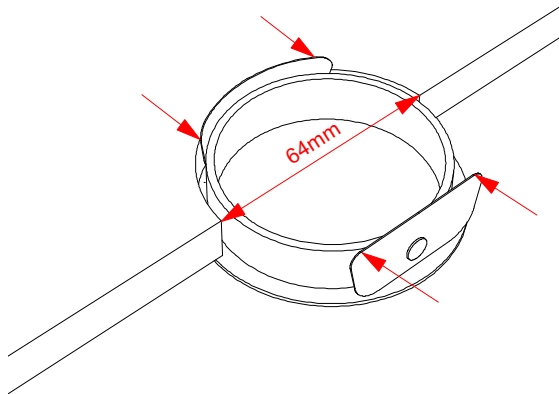
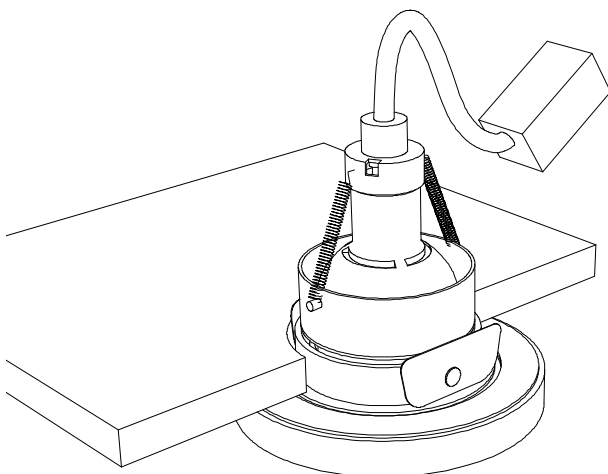


Diagram 3

Final position



2 Ceiling Hole

Locate centre of spotlight location and drill 64mm diameter hole in the ceiling.

Ensure the ceiling is minimum 12mm thick. Make sure the ceiling is decorated prior to install.

3 Fit Ceiling Attachment

Take the Ceiling ring attachment (1) and squeeze the metal wings on the sides and push the ring in to the ceiling hole. The wings will grip the ceiling. Ensure the ring is fully inserted and securely fitted.

4 Connect Electrics

Prior to installing the spot light connect the lamp to the electrics using the provided junction box (2). Test the light is working prior to inserting in to the ceiling

Note!

- Ensure the Mains Power is off when connecting the lamp
- Use a professional electrician

5 Insert Spot Light

Now insert the main body of the spot light through the ceiling attachment ring (1) and push the spot tight up against the ceiling.

The rubber gasket (7) should be compressed against the ceiling and form a water tight seal.

Note!

- Handle the ceramic face of the spot with care as ceramic can break if excessive force is applied.

6 Replacing the lamp

Carefully grip the terracotta face with all five fingers and gentle pull the face directly down. The body of the lamp will detach from the ceiling ring.

Replace the lamp and repeat step 5.