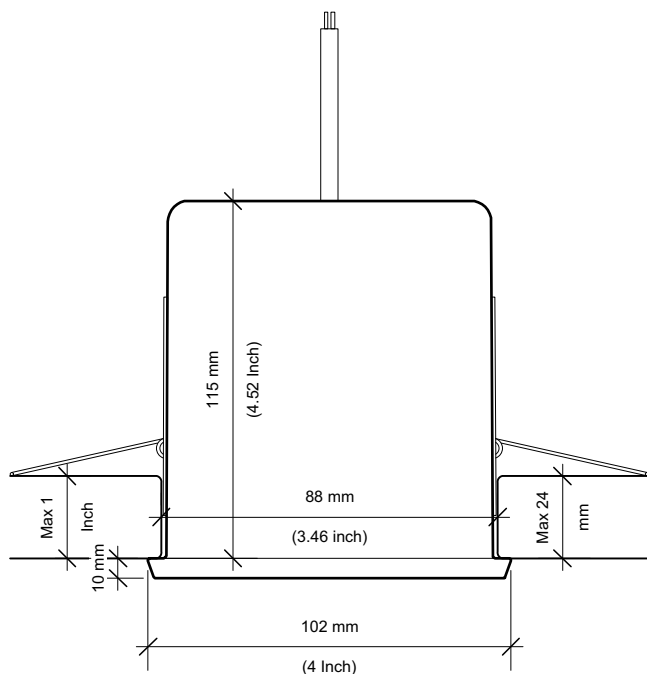
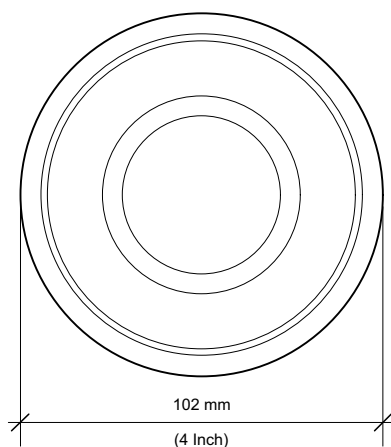


Dimensions- Side view



Dimensions- Top view



Design by

Thomas Housden

Material & finish

Terracotta and white glaze

Dimensions & weight

Ø102mm, H.115mm, 0.55kg

Ø4inch, H.4.5inch, 1.2lb

Ceiling hole: 90mm/3.54inch

Lamp type & wattage

- Max 7W LED GU10 bulb (not included)
- 230v AC 50Hz
- Dimmable if used with compatible dimming controls and bulbs. Mains and Dali dimming available

IP rating

IP20

Wiring certification

CE, EN60598



- Please read the instructions before assembly or installation.
- Be sure to use a suitably qualified person for installation as the lights require connecting to mains power
- Install the light to all relevant local building codes and standards
- Make sure mains power is off during installation
- Make sure that the light is fitted in a suitable ceiling void. Ensure nothing touches the lamp above ceiling level to ensure clear air circulation. Insulating materials should be 100mm clear of the outside edge of the fitting.
- This lamp is NOT fire rated. If the local building regulations require a fire rated lamp ensure to build a suitable fire rated enclosure around the lamp.
- Do not use excessive force or power tools on the ceramic components. The terracotta is a robust material but if treated incorrectly can be broken. Broken ceramics can be sharp.
- Do NOT use a lightbulb of more than 7W GU10 LED in this fitting.
- This spot light is not IP rated so should not be exposed to high levels of steam or water.
- If at any point your lightbulb breaks then, as with any light, do not touch the filament/LED part unless the power is turned off.
- Always turn off the power before changing a light bulb.
- If the cables are damaged, these should only be replaced by the manufacturer or a similarly qualified person.
- Used electrical equipment (WEEE) should not be mixed with general household waste. Please recycle. Our products can be dismantled prior to disposal.

Diagram 1

Lamp components

1. Spot light body
2. Fixing plates, spring and screws
3. Silicone lamp holder
4. Metal insert
5. GU10 LED light bulb (not supplied)
6. Glazed ceramic insert

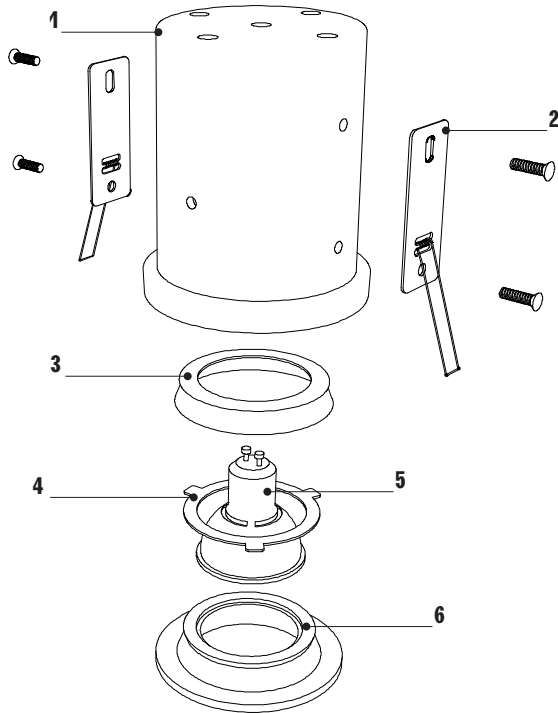
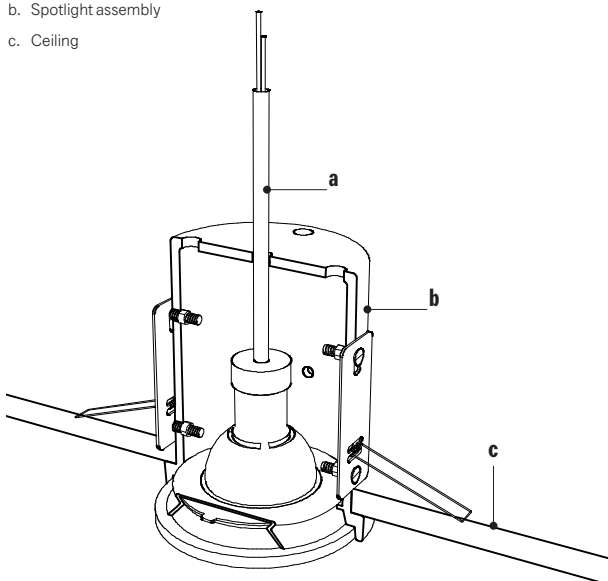


Diagram 2

Section of lamp installed

- a. Lamp holder
- b. Spotlight assembly
- c. Ceiling



Steps

The lamp is supplied assembled as a complete module but is not supplied with a light bulb. To install and fit a light bulb follow the below instructions.

1 Ceiling hole

Cut a hole in the desired spot location in the ceiling using a 85 to 90mm cutting tool (3.3 to 3.5 inch). Test the hole size with the ceramic body (1) prior to inserting fully. Please note the ceramic body can vary in size marginally.

Note!

- The spot lights are ideally used in a double layer of plasterboard of up to 25mm thickness as this will ensure the springs are fully tensioned.

2 Install GU10 bulb to spot light

Take the glazed terracotta insert (6) out of the Terra spot (1) by twisting it gently until it drops out. Remove the silicone ring (3) with the metal ring inside (4) from the terracotta insert (6). Place LED GU10 bulb (5) inside terracotta insert (6). Put the silicone ring (3), with the metal ring (4) inside, back on to terracotta insert (6). Its is important to pull the silicone ring all the way over the terracotta insert so that the bottom of the silicone reaches all the way down the terracotta lip. It must be smooth and flush

3 Attaching to GU10 lamp holder

Thread the lamp holder(A) through the middle hole at the top of the Terra Spot (1). Connect the GU10 bulb (5) to the LED GU10 lamp holder (A).

4 Attaching terracotta insert to spot light

Next place the glazed terracotta insert (6), with everything attached, into the Terra spot (1). The protruding metal points (4) will go through gaps in the inner ring of the Terra spot (1). Then twist the terracotta insert (6) and the metal ring (4) will sit on the inner ring of the Terra spot. Be careful not to twist too much as the metal points may come out from the inner ring.

5 Inserting spot light in to ceiling

Now the Terra Spot is fully assembled it can be placed into the ceiling (C). First connect the lamp holder (A) to the mains power supply. Ensure the mains power is switched OFF. Next pull the spring on the metal Plate (2) to the top of the Terra spot. Next push the Terra spot into the ceiling (C). Once pushed in the springs will unfurl behind plasterboard, holding the light to the ceiling (C). Ideally use 2 layers of plasterboard on ceiling to give maximum torsion to the springs.

- 6 Ensure the spot light is not being touched by any mineral wool above ceiling level. Ensure a clear area around the lamp is free for air ventilation. Insulating materials should be 100mm clear of the outside edge of the fitting. Please note this lamp is NOT fire rated. If you require fire rated ceilings a fire rated box construction or fire hood will be required.