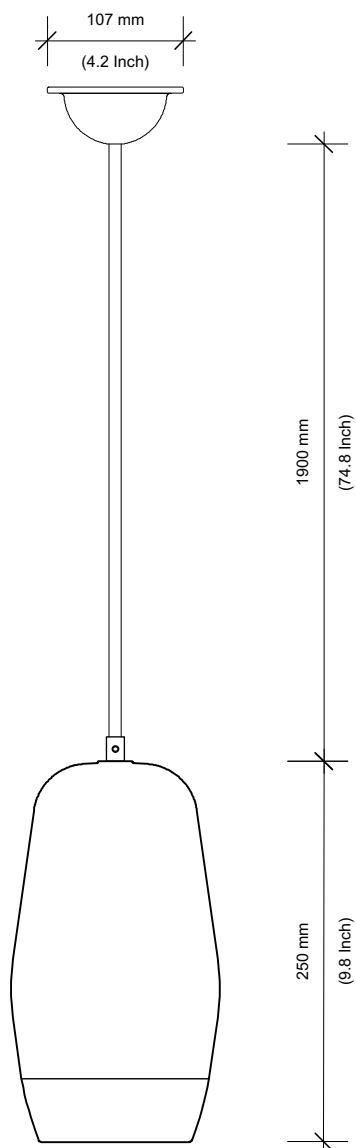
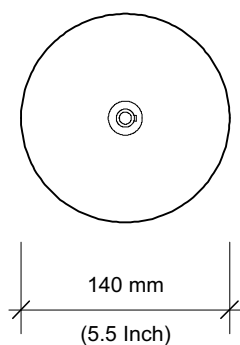


## Dimensions- Side view



## Dimensions- Top view



## Design by

Thomas Housden

## Material & finish

Terracotta and white gloss glaze

## Dimensions & weight

Ø140mm / H.250mm, 1.2kg

Ø5.5inch / H.9.8inch, 2.6lb

## Lamp type & wattage

- E27 lamp max 12W LED bulb (bulb not included), 230v AC 50Hz
- USA E26 lamp max 12W LED bulb (bulb not included), 120v AC 60Hz
- Dimmable if used with compatible dimming controls and bulbs

## IP rating

IP20

## Wiring certification

CE, EN60598

UL listed

## Options

Top glaze or bottom glaze



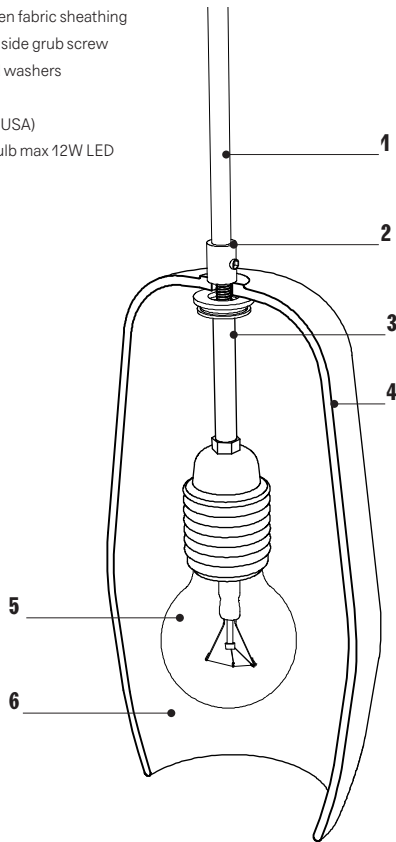
## Terracotta Small Safety Information EU / USA

- Please read the instructions before assembly or installation.
- Be sure to use a suitably qualified person for installation as the lights require connecting to mains power
- Install the light in conformity with all relevant local building codes and regulations.
- Make sure mains power is off during installation
- Make sure that the light is securely hung from the ceiling and that there is a suitable substrate for this.
- When attaching the ceiling rose ensure you are working from a safe platform or ladder
- Do NOT use an electric screwdriver to tighten the ceiling rose screws as this can cause it to crack
- Do NOT use a light bulb of more than 12W (LED).
- Take care with the ceramic shade as this can break if hit hard enough. We recommend installing the lamp above furniture such as tables or island units or above head height.
- If at any point your light bulb breaks then, as with any light, do not touch the filament/LED part unless the power is turned off.
- Always turn off the power before changing a light bulb.
- If the external flex cable is damaged, this should only be replaced by the manufacturer or a similarly qualified person.
- Used electrical equipment (WEEE) should not be mixed with general household waste. Please recycle. Our products can be dismantled prior to disposal.
- USA note: UL regulations require a 'free air' gap between the ceiling and lamp holder so please allow for a minimum of a 4 inch length of flex between the canopy and the shade.

## Diagram 1

Lamp components

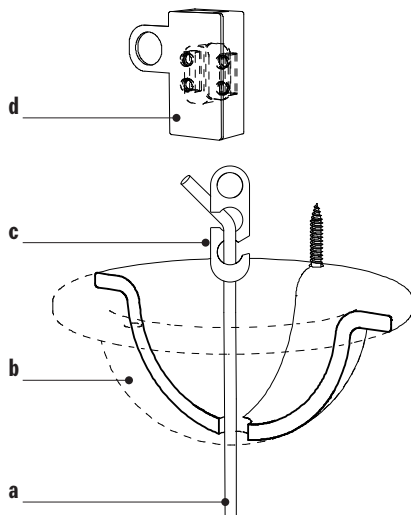
1. Electric flex with woven fabric sheathing
2. Fixing top screw with side grub screw
3. Lamp holder pole and washers
4. Lamp shade
5. E27 lamp holder (E26 USA)
6. E27 (E26 USA) light bulb max 12W LED (Not supplied)



## Diagram 2

Ceiling rose (canopy) assembly

- a. Electrical flex
- b. Ceramic ceiling rose (screws not supplied)
- c. S-hook
- d. Electrical connector block



## Steps

### 1 Check lamp components

The lamp will arrive assembled as in diagram 1.

### 2 Hanging height

Decide on the hanging height and cut the flex (1) if necessary. To prevent fraying, tape the fabric with electrical tape after cutting and ensure the sheathing is not slack on the flex. Ensure electric cables have been suitably prepared for connection.

### Note!

- We recommend holding the lamp up and testing the lamp height visually before cutting the flex.
- Allow a small amount of extra flex (approx 50mm / 2 Inch) to allow for some tolerance and adjustability

### 3 Ceiling rose (canopy) assembly

Thread the flex (a) through the ceiling rose (b). Then fit the S-hook plastic flex hanging component (c) to the flex (as shown on diagram 2). The closed loop of the S-hook is used to attach the lamp to the ceiling and the double 'S' shape is used to clamp the flex in place. This ensures that no weight will be taken by the connection.

### 4 Ceiling preparation USA

Install a Raco 4" octagonal Raco metal ceiling box ensuring it is suitably secured according to manufacturer's details. Connect a hook or other fixing which allows the S-hook (c) to be attached. See diagram 3.

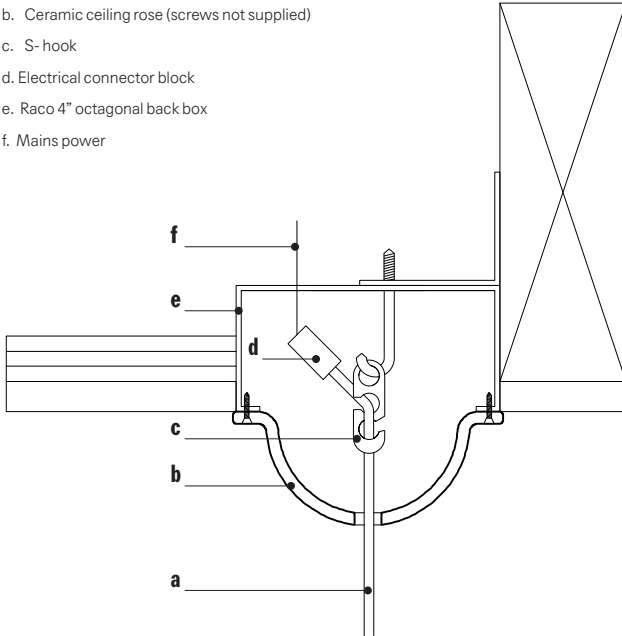
### Ceiling preparation UK / EU

Install the lamp on a suitable substrate. We recommend a plywood pattress behind the plasterboard. If this is not possible make sure all fixing points in to plasterboard use suitable heavy duty points. Use a hook or suitable screw to secure the S-hook to the ceiling. See diagram 4.

### Diagram 3

USA canopy set up

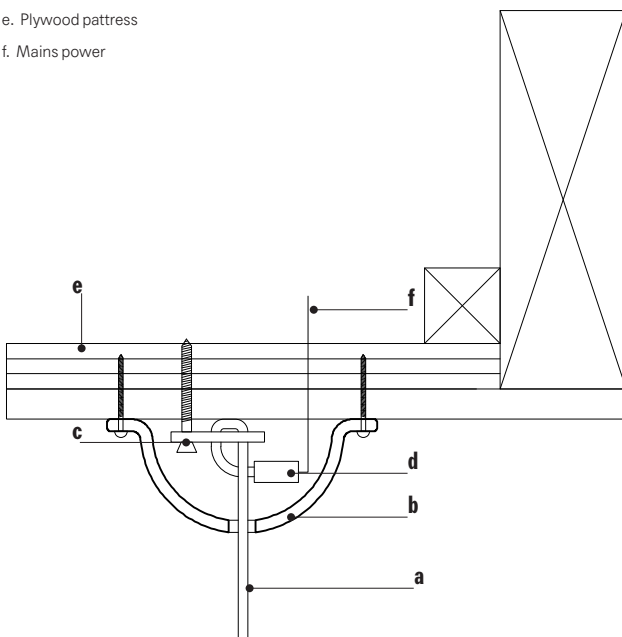
- a. Electrical flex
- b. Ceramic ceiling rose (screws not supplied)
- c. S-hook
- d. Electrical connector block
- e. Raco 4" octagonal back box
- f. Mains power



### Diagram 4

UK / EU ceiling rose

- a. Electrical flex
- b. Ceramic ceiling rose (screw not supplied)
- c. S-hook
- d. Electrical connector block
- e. Plywood pattress
- f. Mains power



### 5 Connect the power

Now that the lamp is securely hanging from the ceiling connect the lamp flex (a) to the mains electric cable (f) using the connector box (d).

The weight of the lamp should be hung off the S-hook (8) and the flex securely clamped, to ensure no weight is placed on the electrical connection.

#### Note!

- Ensure the power supply is switched OFF at the mains!

### 6 Attach the ceiling rose (canopy)

**USA** - Connect the canopy to the 4 inch octagonal Raco ceiling back box using suitable screws.

**UK / EU** - Connect the ceiling rose to the ceiling using suitable screws and ensure the substrate is suitable or suitable plasterboard fixings are used.

#### Note!

- Do NOT use an electric screw driver and do NOT over tighten the screws as this can cause the ceiling rose to crack!
- Make sure no weight is being taken by the ceiling rose- this is just a cover.
- Aesthetically, we recommend brass screws with dome heads for securing the ceiling rose.

### 7 Light bulb

Fit a screw in bulb to the lamp holder (5) making sure not to apply a sideways force on the pole (3). Ensure the use of Max 12W LED bulb.