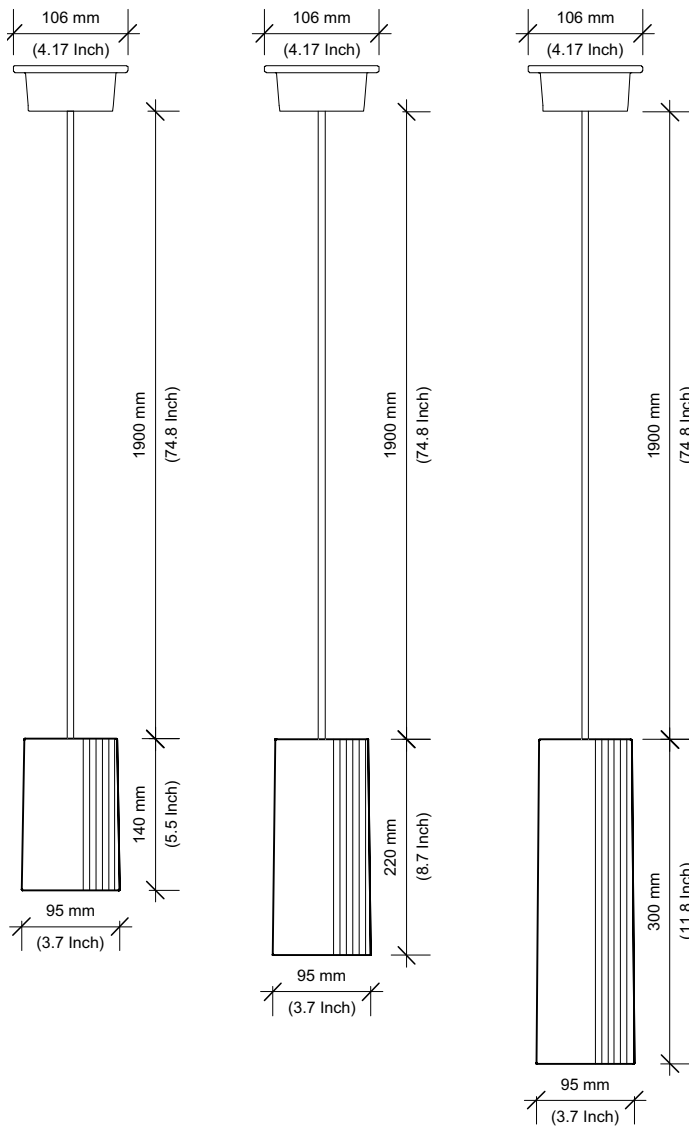


## Dimensions- Side view



## Design by

Mentsen

## Material

Terracotta, copper

## Dimensions & weight

Small:

H.140mm, Ø95mm, 0.8Kg

H.5.5inch, Ø3.7inch, 1.8lb

Medium:

H.220mm, Ø95mm, 1Kg

H.8.7inch, Ø3.7inch, 2.2lb

Large:

H.300mm, Ø95mm, 1.2Kg

H.11.8inch, Ø3.7inch, 2.6lb

## Lamp type & wattage

- E27, Max 12W LED (bulb not included), 230v AC 50Hz
- E26 (USA), Max 12W LED (bulb not included), 120v AC 60Hz
- Dimmable

## IP rating

IP20

## Wiring certification

CE, EN60598

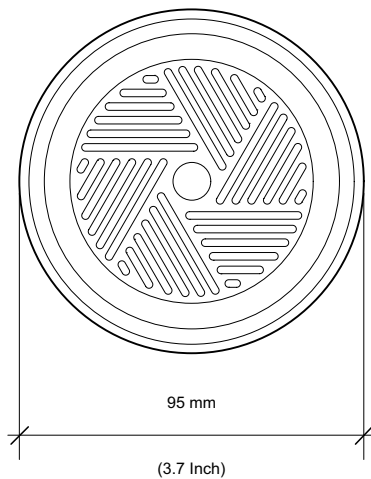
UL listed

## Options

Size: small, medium, large

Finish: raw terracotta, 'bone' matt, 'indigo' matt

## Dimensions- Top view





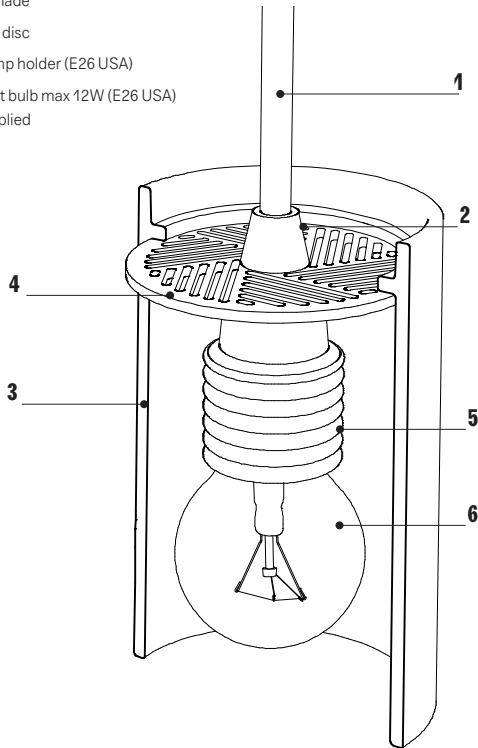
- Please read the instructions before assembly or installation.
- Be sure to use a suitably qualified person for installation as the lights require connecting to mains power
- Install the light in conformity with all relevant local building codes and regulations.
- Make sure mains power is off during installation
- Make sure that the light is securely hung from the ceiling and that there is a suitable substrate for this. The weight of the lamp should not be taken by the electrical junction.
- When attaching the ceiling rose ensure you are working from a safe platform or ladder
- Do NOT use an electric screwdriver to tighten the ceiling rose screws as this can cause it to crack
- Do NOT use a light bulb of more than 12W.
- Take care with the ceramic shade as this can break if hit hard enough. We recommend installing the lamp above furniture such as tables or island units or above head height.
- If at any point your light bulb breaks then, as with any light, do not touch the filament/LED part unless the power is turned off.
- Always turn off the power before changing a light bulb.
- If the external flex cable is damaged, this should only be replaced by the manufacturer or a similarly qualified person.
- Used electrical equipment (WEEE) should not be mixed with general household waste. Please recycle. Our products can be dismantled prior to disposal.
- USA note: UL regulations require a 'free air' gap between the ceiling and lamp holder so please allow for a minimum of a 4 inch length of flex between the canopy and the shade.

## Assembly Instructions EU/USA 1/1

### Diagram 1

Lamp components

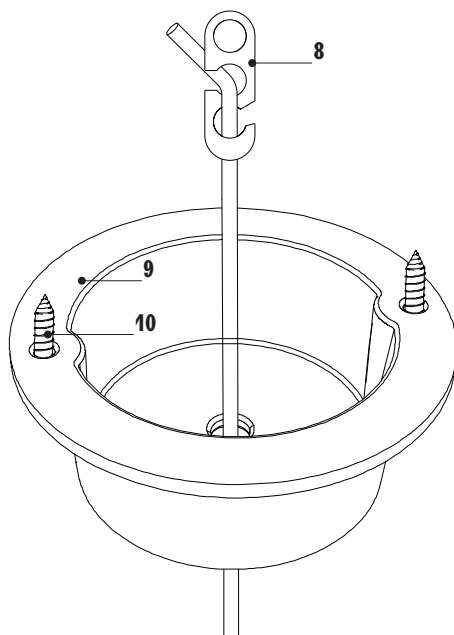
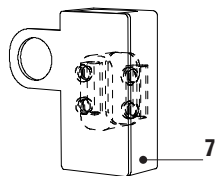
1. Electric flex with woven fabric sheathing
2. Screw on plastic cap (with plastic washer below disc)
3. Lamp shade
4. Copper disc
5. E27 Lamp holder (E26 USA)
6. E27 light bulb max 12W (E26 USA) not supplied



### Diagram 2

Ceiling rose components

7. Electrical connection box + terminals
8. S-hook
9. Ceiling rose (canopy)
10. Ceiling rose screws (not supplied)



### Steps

#### 1 Assemble the lamp

Unscrew and remove the plastic cap from the fitting, leaving the plastic washer in place. Thread the flex (1) through the copper disc (4). Then slide the plastic cap (2) over the flex and screw it onto the top of the lamp holder (5). Now pull everything through the inside of the shade (3) so that the copper disc (4) will take the weight.

#### 2 Hang the lamp

Decide on the hanging height and cut the flex (1) if necessary. To prevent fraying, tape the fabric with electrical tape after cutting and ensure the sheathing is not slack on the flex. Ensure electric cables have been suitably prepared for connection. Thread the flex through the ceiling rose before hanging. The lamp should be hung from a suitable substrate. The fixing is not provided and must be selected to suit the ceiling build up. We suggest a hook fixing (or similar) that allows the 'S' hook to be attached. Use the closed loop of the S-hook to attach the lamp to the ceiling and use the double 'S' shape to clamp the flex in place. This ensures that no weight will be taken by the connection.

#### 3 Connect the electrics

Now connect the lamp flex (1) to the mains electric cable using the connector box (7). The connector block (7) can be concealed in the ceiling rose, tucked behind the plasterboard or located in the back box (USA). The weight of the lamp should be hung off the S-hook (8) to ensure no weight is placed on the electrical connection.

#### 4 Attach the ceiling rose

Place the ceiling rose over the ceiling fitting and connection box and secure it to the ceiling using two small screws (10) - not supplied. No weight should be taken by the ceiling rose. The 'S' hook (8) behind the ceiling rose can be used to set the flex length.

#### Note!

- Do NOT use an electric screw driver as this can break the ceramic rose.
- For USA orders we have developed a canopy that will fit onto standard Raco 4" octagonal back box.

#### 5 Fit a light bulb

Fit an E27 light bulb (E26 USA) to the lamp holder (5). For the small size Rigatoni we recommend a golf-ball shape bulb so it doesn't stick out of the shade.