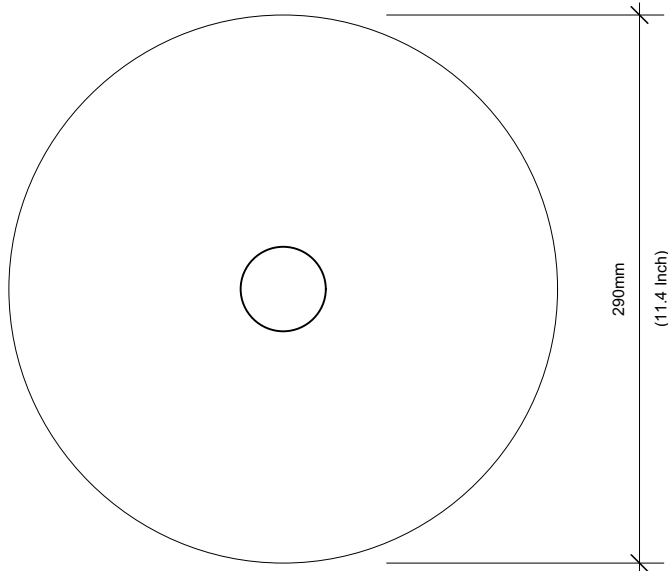


Dimensions- Front view



Design by

Thomas Housden

Material & finish

Recycled ceramic and glass 'stone' shade
Aluminium mounting plate

Colour options

Desert / Dust / Smoke

Dimensions & weight

Ø 290mm, D 75mm from wall, 1.8-2.1kg
Ø 3.14 inch, H 5.11 inch, 13.6lb
Wall Back Box - Min 55mm depth

Light source

Front illumination:

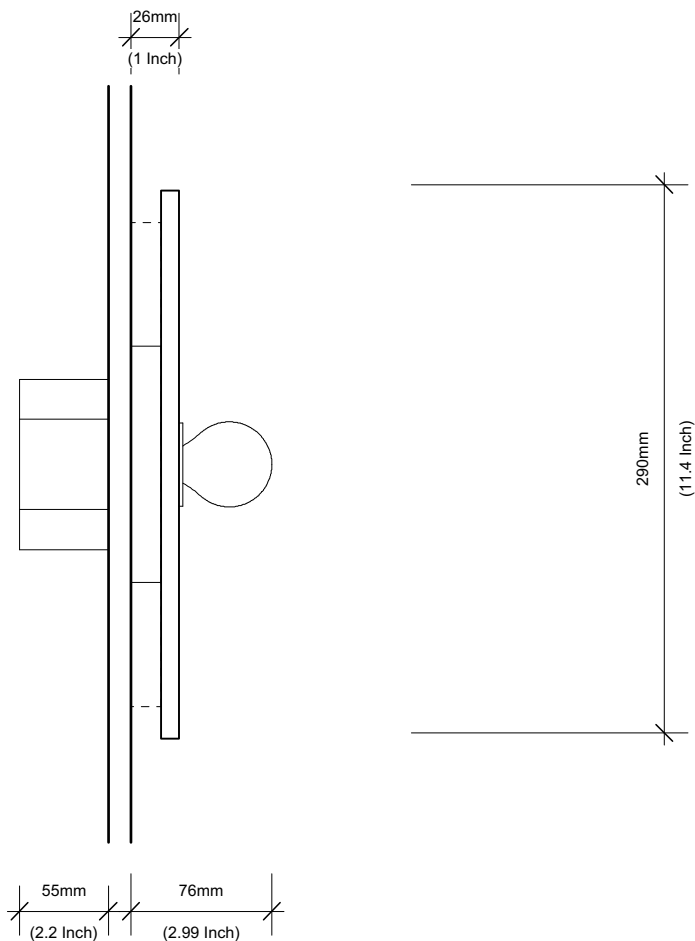
EU - 1 x E14 3W LED (bulb supplied), 230v AC 50 Hz
USA - 1 x E12 3W LED (bulb not supplied) 120v AC
60Hz

(Recommended bulb is the Porcelain I by Tala)

Back Illumination option:

1 x 24VDC 10W LED, driver included

Dimensions- Side view



Certification

IP rating: IP20

Certification: CE EN-60598

Hand & Eye



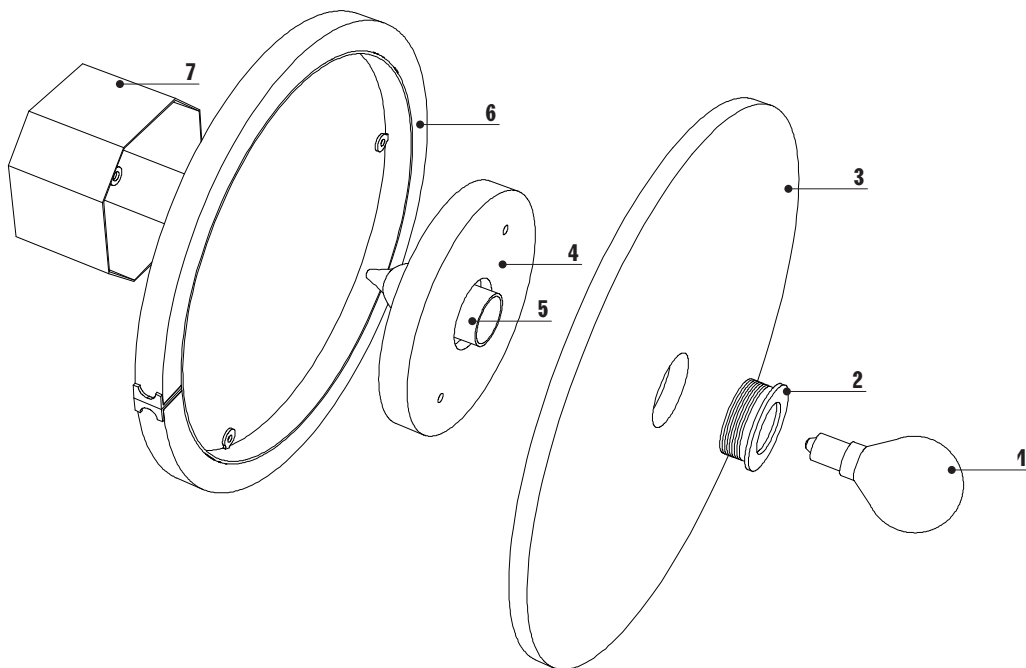
Io Wall Safety Information EU

- Please read the instructions before assembly or installation.
- Make sure mains power is off during installation.
- Be sure to use a suitably qualified person for installation as the lights require connecting to mains power.
- Install the light in conformity with all relevant local building regulations/codes and standards.
- Make sure the wall is suitably prepared to ensure a solid fixing method and substrate.
- When working at height always ensure you are working from a safe platform.
- The recycled ceramic shades is breakable and should be treated suitably.
- Do NOT bring the light in contact with water or locate the lamp in a wet location.
- Note that the option with rear illumination requires a remotely located driver to power the LED strip.
- The driver should be suitable for 24v DC LED strip, 10w per metre, constant voltage. Driver must be SELV (USA- class 2).
- For LED module replacements contact Hand & Eye
- The recommended bulb is the Tala Porcelain 1. Please contact Hand & Eye or Tala for replacements.
- Note that the light requires a wall recess / back box.
- If any cable is damaged, this should only be replaced by the manufacturer or a similarly qualified person.
- Used electrical equipment (WEEE) should not be mixed with general household waste. Please recycle. Our products can be dismantled prior to disposal.

Diagram 1

Lamp components

1. EU - LED E14 lightbulb (3w)
USA - LED E12 lightbulb (3w)
2. Fixing insert
3. Recycled ceramic and glass shade
4. Back plate
5. Lamp holder + cable
6. LED and fixing plate
7. Back box (not supplied)
USA - Allow 4 inch Raco
EU - optional



Steps

1 Preparation

The Io wall light comes with components 4 & 5 pre-assembled. Optional component 6 comes pre assembled to its fixing plate.

The following things will need to be sourced before installation:

- A back box if required under local building regulations of suitable depth.
- Screws and wall plugs for mounting optional LED and for mounting back plate if NOT using back box

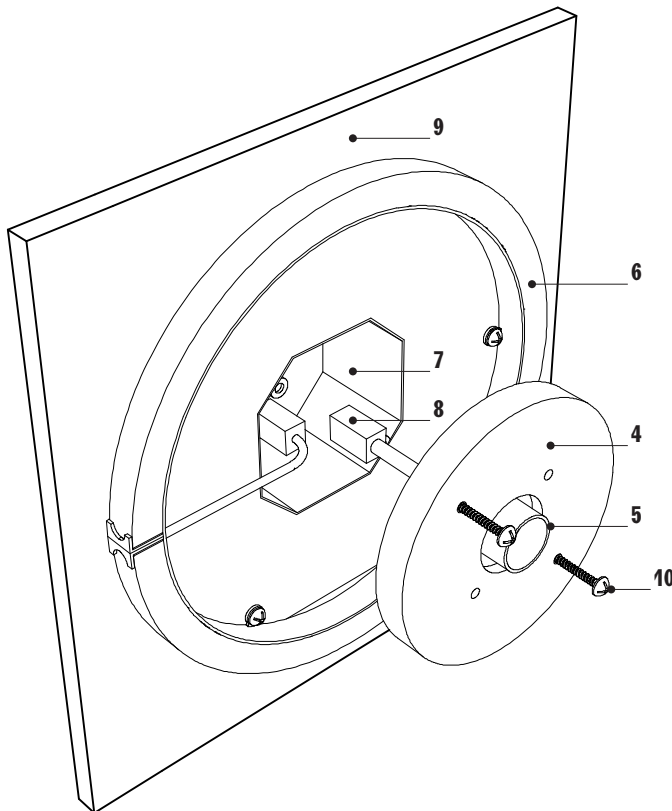
We recommend having the following tools:

- Drill suitable for wall substrate
- Wire stripper & cutter
- Screw driver
- Tape measure & pencil

Diagram 2

Assembly Step 2-5

4. Back plate
5. Lamp holder
6. LED and fixing plate
7. Back box (not supplied)
8. Connector blocks(s)
9. Wall
10. Bolts (supplied)
or screws if no back box (not supplied)



2 Attach back box to wall

The Io wall light is designed to be installed using a deep back box allowing the lamp holder to be recessed into the wall.

In the USA the lamp is designed to operate with a deep 4" Raco metal back box (with screw holes at 90mm centres)

In the UK / EU the lamp can be used with a deep back box with 60mm screw centres. Ensure all back boxes are a minimum of 50mm deep.

Note!

- Install the back box to manufacturers recommendations.
- Ensure the back box is adequately secured to the wall to accommodate the weight of the lamp
- If local building codes allow, the back box can be omitted.

3 Attach LED & Fixing Plate (Optional)

Centrally locate the optional back illumination LED halo (6) around the installed back box. Secure into the wall substrate using suitable screws. Ensure this is accurately centred to the wall light position.

4 Connecting the Power

Connect the LED to the 24Vdc power supply from the supplied driver using the provided connector block (8)

Connect the light bulb to the mains power using the supplied connector block (8).

Note!

- Ensure the Power is OFF before connecting
- The driver must be located remotely within 10 metres of the light in an accessible location.
- Please read the driver manufacturer information

5 Attach back plate

Using the provided countersunk bolts (10), secure the metal back plate (4) to the back box (7) using either the USA (90mm) or EU (60mm) located holes. Alternatively screw directly to wall with suitable wall plugs without a back box if local codes permit.

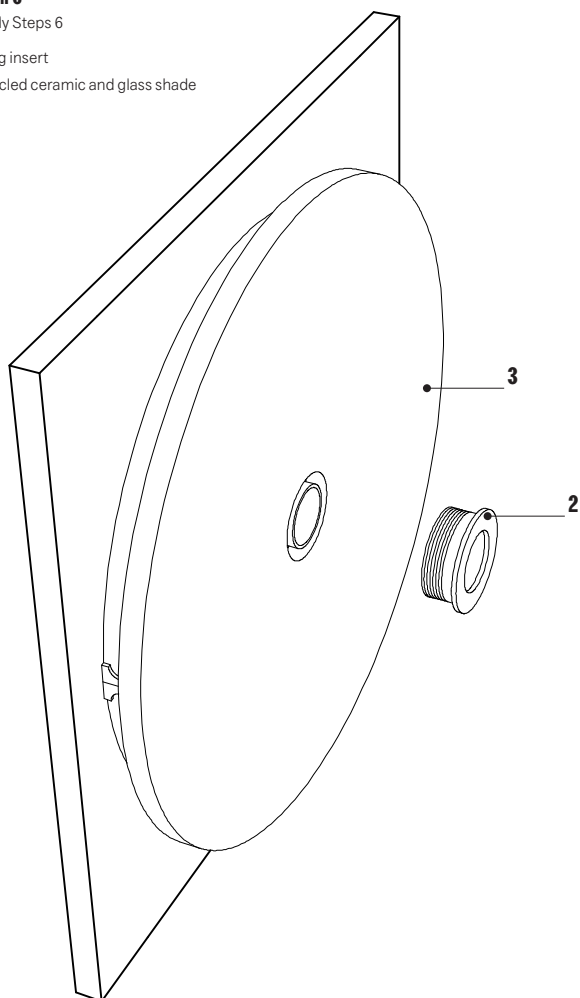
Ensure the screw heads are flush to the face of the back plate and that the plate is securely fitted to the wall.

Assembly Instructions EU 3/3

Diagram 3

Assembly Steps 6

2. Fixing insert
3. Recycled ceramic and glass shade



6 Attaching the recycled ceramic & glass shade

Now locate the recycled ceramic and glass circular shade (2) over the metal back plate (4). Insert the fixing insert (2) and gently screw in to the back plate (4). The insert should be finger tight and hold the disc in place.

7 Attach the light bulb

Now insert the supplied LED light bulb by gently threading in to the lamp holder. The light bulb should be clear of the ceramic shade.

8 Final Assembly

The light should be fully assembled now. Check it is working correctly and enjoy.

Diagram 4

Assembly Step 7/8

