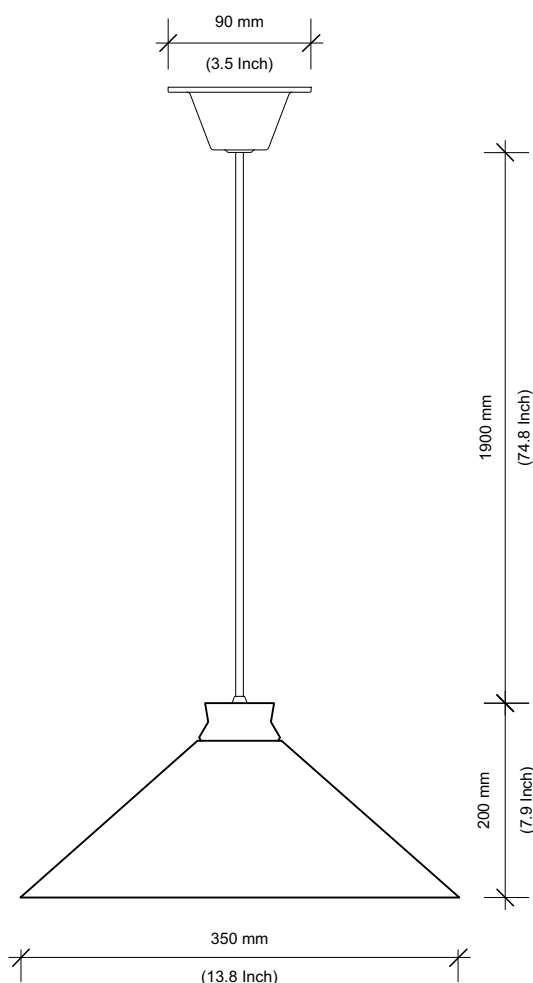
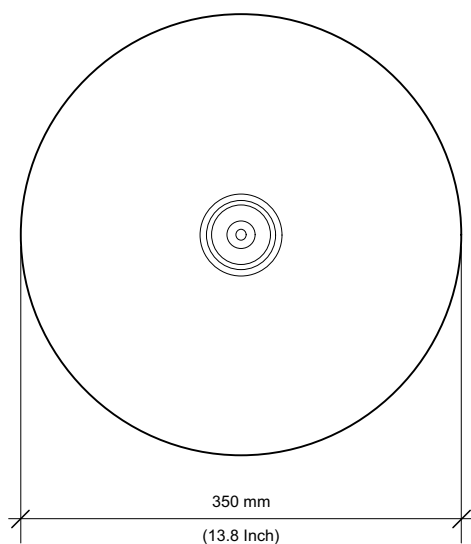


Dimensions- Side view



Dimensions- Top view



Design by

Thomas Housden

Material & finish

Ceramic, silicone

Dimensions & weight

H.200mm, Ø350mm, 1.5kg

H.7.9inch, Ø13.8inch, 3.3lb

Lamp type & wattage

- E27, Max 12W LED (bulb not included), 230v AC 50Hz
- E26 (USA), Max 12W LED (bulb not included), 120v AC 60Hz
- Dimmable (if used with compatible controls and bulbs)

IP rating

IP20

Wiring certification

CE, EN60598

Options

coral red, duck egg blue, mint green, pigeon



- Please read the instructions before assembly or installation.
- Be sure to use a suitably qualified person for installation as the lights require connecting to mains power
- Install the light in conformity to all relevant local building codes and regulations.
- Make sure mains power is off during installation
- Make sure that the light is securely hung from the ceiling and that there is a suitable substrate for this. The weight of the lamp should not be taken by the electrical junction.
- When attaching the ceiling rose ensure you are working from a safe platform or ladder
- Do NOT use an electric screwdriver to tighten the ceiling rose screws as this can cause it to crack
- Do NOT use a light bulb of more than 12W.
- We strongly recommend using an LED light bulb and we recommend an opal bulb.
- Take care with the ceramic shade as this can break if hit hard enough. We recommend installing the lamp above furniture such as tables or island units or above head height.
- If at any point your light bulb breaks then, as with any light, do not touch the filament/LED part unless the power is turned off.
- Always turn off the power before changing a light bulb.
- If the external flex cable is damaged, this should only be replaced by the manufacturer or a similarly qualified person.
- Used electrical equipment (WEEE) should not be mixed with general household waste. Please recycle. Our products can be dismantled prior to disposal.

Diagram 1

Lamp components

1. Electric flex with woven fabric sheathing
2. Silicone top
3. E27 Lamp holder (E26 USA)
4. E27 (E26 USA) light bulb, max 12w (not included)
5. Ceramic lamp shade

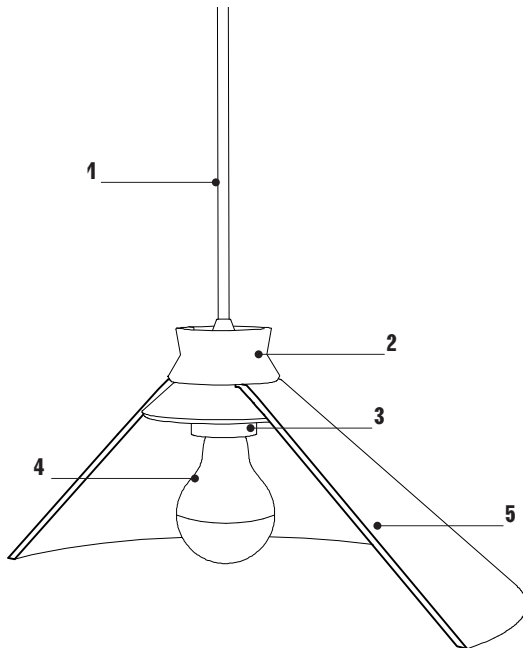
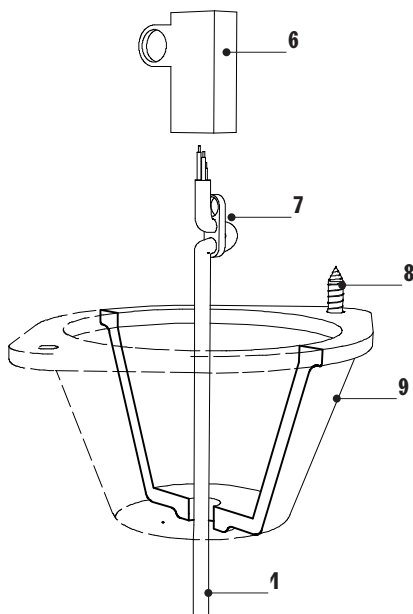


Diagram 2

Ceiling rose components

6. Electrical connection box + terminals
7. S-hook
8. Ceiling rose screws (not supplied)
9. Ceiling rose (canopy)
1. Electrical flex with fabric sheathing



Steps

1 Assemble the lamp & decide on hanging height

Thread the flex (1) through the silicone top (2) of the pendant until the lampholder (3) sits in the silicone. Decide on the hanging height and cut the flex (1) if necessary. To prevent fraying, tape the fabric with electrical tape after cutting and ensure the sheathing is not slack on the flex. Ensure electric cables have been suitably prepared for connection.

2 Hang the lamp

Thread the flex through the ceiling rose. Assess the ceiling fixing point. The lamp should be hung from a suitable substrate. The fixing is not provided and must be selected to suit the ceiling build up. We suggest a fixing that allows the supplied 'S' hook to be attached to a ceiling hook. Use the closed loop of the S-hook to attach the lamp to the ceiling and use the double 'S' shape to clamp the flex in place. This ensures that no weight will be taken by the connection.

3 Connect the electrics

Connect the lamp flex cable (1) to the mains electric cable using the connector box (6). The connector box (6) can be concealed in the ceiling rose or tucked behind the plasterboard or located in the ceiling back box (USA) as desired. Make sure that the 'S' hook takes the weight of the lamp and not the electrical connection or the ceiling rose.

4 Attach the ceiling rose

Place the ceiling rose (9) over the connection box (6) and fixings and secure it to the ceiling using two small screws (8). Do not use an electric drill when attaching the ceiling rose as this may crack it. No weight should be supported off the ceiling rose as this only covers the cables behind. The ceiling rose will not cover an existing plastic / metal ceiling rose. This will need to be removed. The 'S' hook (7) can be used to set the flex length.

Note!

- This ceiling rose will not fit onto a standard US metal back box. If necessary, an off-the-shelf canopy may need to be used (not supplied).

5 Attaching the light bulb

Fit a light bulb (5) to the lamp holder (7) - max 12w. We recommend using opal LED bulbs.