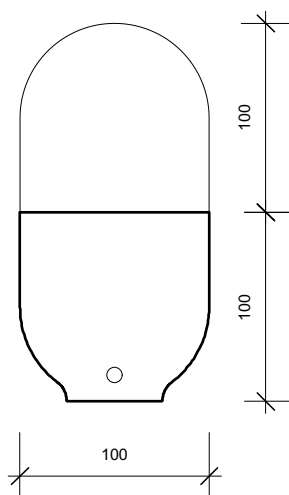
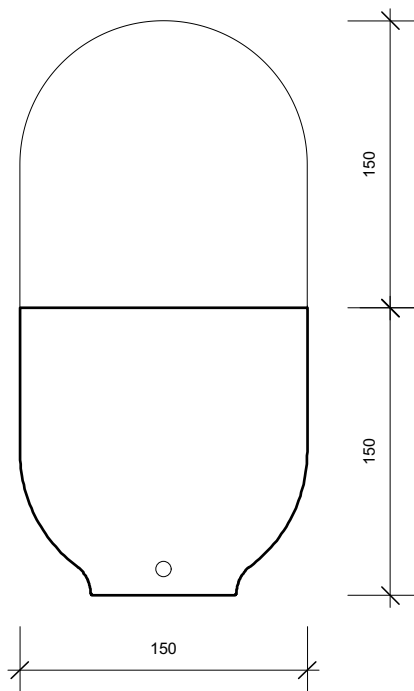


Duo Instructions & Safety Information EU/USA

Dimensions- Side view



Design by

Thomas Housden

Material & finish

Terracotta / Earthenware, opal glass

Dimensions & weight

Small Ø100mm, H.200mm, 1.2kg

Small Ø3.9 Inch, H.7.8inch, 2.64lb

Large Ø150mm, H.300mm, 1.8kg

Large Ø5.9Inch, H.11.8inch, 3.9lb

Lamp type & wattage

- E27 lamp max 6W LED bulb (bulb not included). 230v AC, 50 Hz
- USA- E26 lamp max 6W LED bulb (bulb not included). 120v AC, 60Hz
- Inline switch and plug (UK/EU/US)

IP rating

IP20

Wiring certification

CE, EN60598

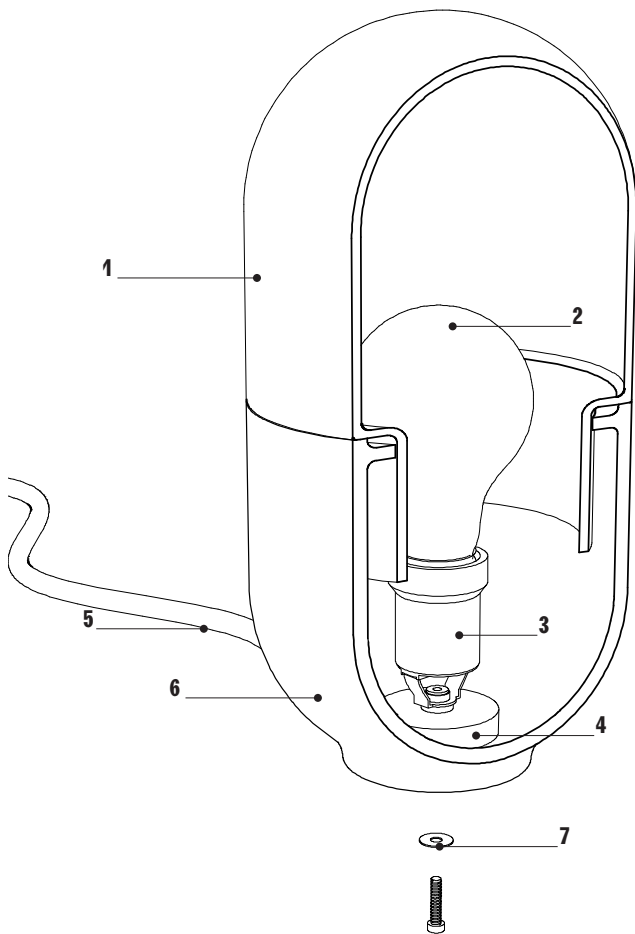


- The glass shade can fall out and break if the lamp falls over. It is recommended to secure the lamp to a surface to prevent this.
- Always place the lamp on a flat and stable surface
- Ensure a light bulb of max 6W is used. We recommend an LED light bulb.
- If the light bulb breaks ensure lamp is unplugged before handling the light bulb.
- Do not insert fingers in to lamp holder if there is no light bulb and lamp is plugged in. Always ensure lamp is unplugged before making any changes.
- Always turn off the power before changing a light bulb.
- For indoor use only.
- If the external flex cable is damaged, this should only be replaced by the manufacturer or a similarly qualified person.
- Used electrical equipment (WEEE) should not be mixed with general household waste. Please recycle. Our products can be dismantled prior to disposal.

Diagram 1

Lamp components

1. Glass shade
2. Max 6W bulb (not supplied)
3. Lamp holder E27 (E26 USA)
4. Metal weight
5. Two core electric flex with woven fabric sheathing, switch and plug.
6. Ceramic base
7. Metal washer & screw



Steps

A Assembly

The lamp holder (3) and weight (4) will already be screwed into the bottom of the Duo light (6).

Step 1: Fit Lightbulb

Screw in your E27 (E26 USA) light bulb of Max 6W (2) into the lamp holder (3).

Step 2: Add the glass shade

Carefully place the glass top (1) into the ceramic base.

B Securing Duo to a surface

For additional stability, we recommend that you secure the Duo lamp to a surface.

Step 1:

Decide where you want the lamp to be placed, mark and drill a hole into the surface using a 5mm drill.

Step 2:

Now carefully remove the glass top (1) and place to the side. Unscrew the lamp holder (3) and weight (4) from the bottom of the Duo lamp (6).

Step 3:

Push the screw (8) through the hole you have drilled into the surface and through the hole the base of the duo lamp. Depending on the surface you wish to secure the lamp to you may need a longer screw than that which we supply (4mm screw diameter, M4).

Now screw the weight (4) and lamp holder (3) back to the bottom of the Duo lamp and it will be secured.