

**Design by**

Thomas Housden

**Material & finish**

Opal hand blown glass, brass fitting and ceiling rose

**Dimensions & weight**

Ø360mm, H.150mm, 2.5kg

Ø14.2inch, H.6inch, 5.5lb

**Lamp type & wattage**

- E27 lamp holder, max 12W LED (bulb not included)
- USA: E26 lamp holder, max 12W LED (bulb not included)
- Dimmable  
(if used with compatible dimming controls and bulbs)

**IP rating**

IP20

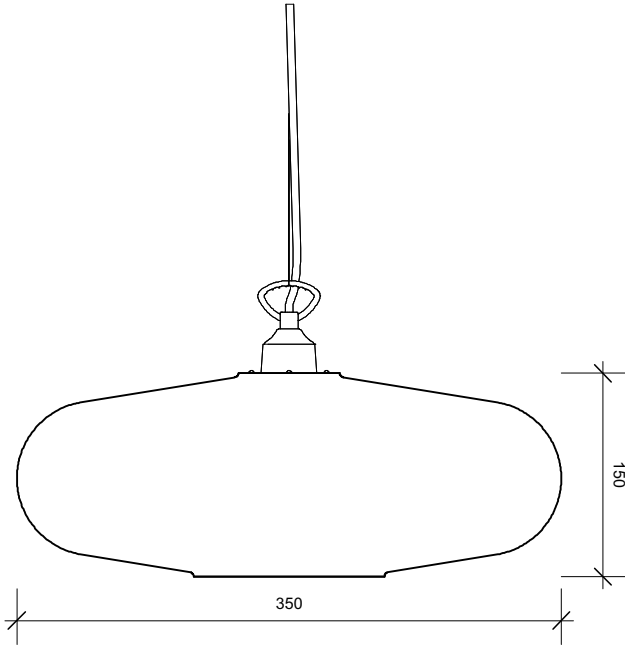
**Wiring certification**

CE, EN60598



---

## Dimensions- Side view



---

## Dimensions- Bottom view

