
POLY

Design by

Thomas Housden

Material & Style

Lens: Silicone

Back Plate: Anodised Aluminium

Dimensions & Weight

Ø 96mm, 60mm deep

0.4kg

Lamp Type & Wattage

1 x Integrated 4.3W LED

230V mains connected

2700K

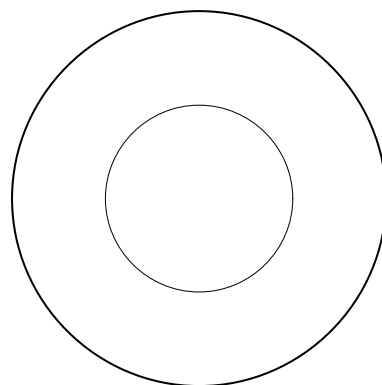
IP

IP44

Bathroom Zones 2 & 3

Certification

CE 60598



Hand & Eye Studio

Purple Studio

Old Paradise Yard

20 Carlisle Lane

London

SE17LG

T +44 (0)1252 715646

info@handandeyestudio.co.uk

SAFETY NOTES



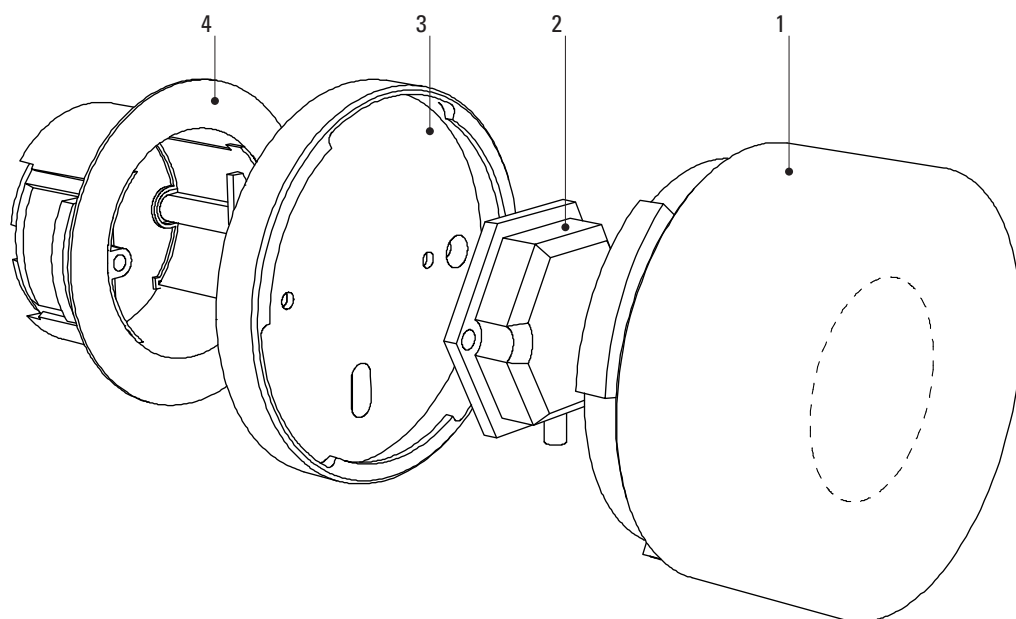
1 Installation:

- Please read the instructions carefully before assembly and installation
- Make sure mains power is OFF during installation
- Be sure to use a suitably qualified person for installation as the lights require connecting to mains power
- Note the integrated LED modules are 230V mains connected units (with no transformer)
- Make sure the wall is suitably prepared to ensure a solid fixing method and substrate
- When working at height always ensure you are working from a safe platform
- Do NOT remove the plastic casing around the LED module. This is a watertight module.
- Do NOT touch the LED module when turned on if the lens cap has been removed or broken (230V)

2 Once installed:

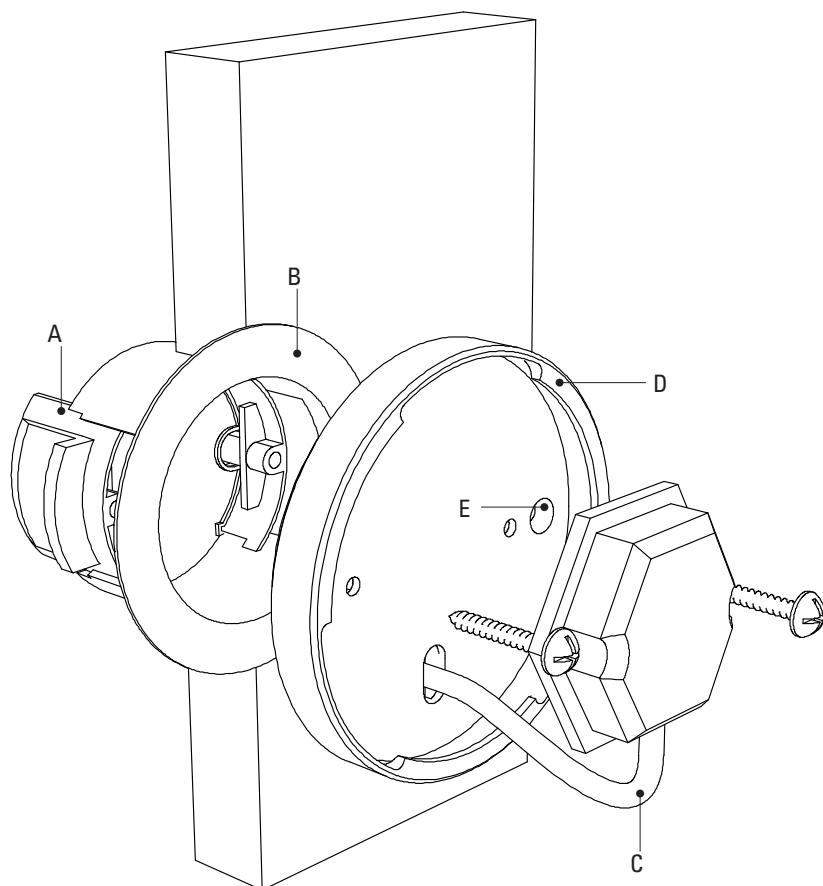
- Ensure the LED module is firmly fitted to the aluminium backplate. The LED module must be in contact to ensure it acts as a heat sink
 - Ensure the LED is connected to the mains power (230V) as described in this document
 - Ensure lamp is located in the following bathroom wet area zones ONLY:
 - No Zone
 - Zone 3
 - Zone 2
-

DIAGRAM 1
Lamp Components



- 1. SILICONE LENS
- 2. WATER RESISTANT LED MODULE
- 3. ALUMINIUM BACK PLATE & HEAT SINK
- 4. ELECTRICAL BACK BOX

DIAGRAM 2
STEP 1



Create a 60mm hole in the plasterboard wall to allow for the Appleby dry lining circular back box to be installed.

Fold the yellow wings (A) inwards and push the backbox (B) in to the wall. Click the wings back in to position behind the plasterboard.

NOTE:

If the lamp is being fixed to a masonry wall the LED module can be fixed to the aluminium without the use of the back box (4). Using masonry screws and wall plugs the aluminium back plate can be fixed to the wall using the additional holes (E) on the aluminium back plate (3). If using this method then the LED module needs to be secured to the back plate using bolts/nuts.

Ensure Mains Power is switched OFF

Feed the mains power cable in to the back box and prepare for connection to the LED module.

Ensure the LED module cable (C) has been fed through the aluminium back plate (D). Then connect the LED to the mains electrical power inside the back box. Please refer to step 3 for details

DIAGRAM 3
Electrical Wiring Diagram

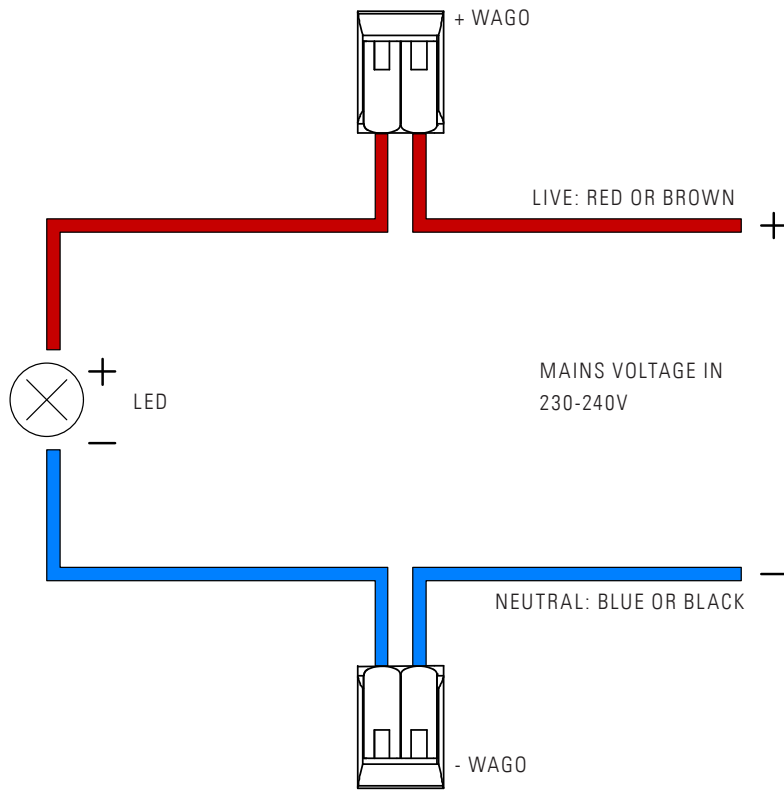
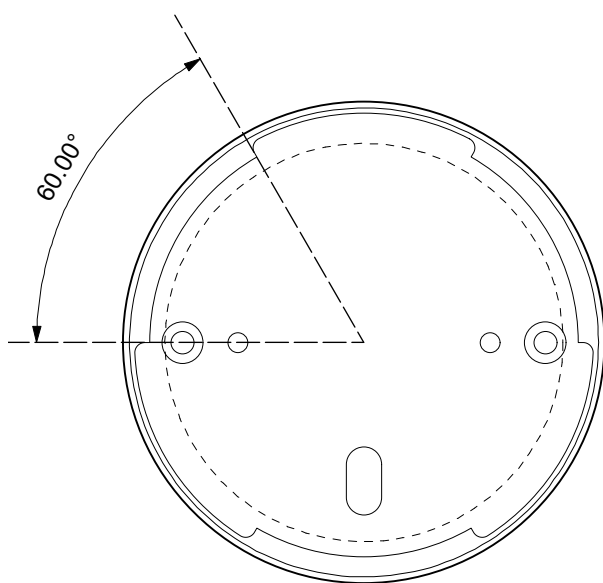


DIAGRAM 4
Securing the silicone lens



A qualified electrician **MUST** be used to connect the wall light to the mains power. Always ensure the mains power is turned **OFF** when installing the lamp. These LED modules are 230V AC mains voltage lamps. The LED water resistant casings should **NOT** be removed.

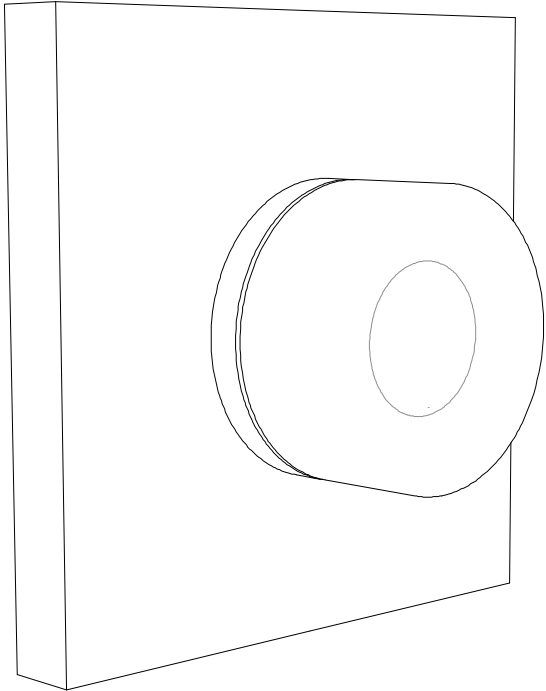
This diagram and the provided connectors (Wago) will allow the LED module to be connected to the mains power in the back box behind the Poly light.

On the wago connector block lift the orange leavers and insert the cables as shown. Ensure cables are trimmed as shown on the Wago itself.

To complete the lamp install slot the silicone in to the aluminum back plate. When doing this align the silicone flanges with the aluminum cut outs.

Once the silicone is located in the body of the aluminum twist the silicone clockwise until it begins to grip. Do not over twist.

DIAGRAM 5
Silicone Lens Twist



DIMMING NOTES!


The silicone is coated in an anti static finish that allows it to be cleaned easily.


This can simply be wiped with a damp cloth or removed from the back mount for more thorough cleaning with water.

Do not use dusting spray or anything else that leaves a residue for cleaning the lens.


The LED is a low output 4.3W LED module. To ensure smooth dimming please contact us for a list of tested and compatible dimmers that must be rated for low output LED modules.

I Hand & Eye II Poly

 This luminaire contains built-in LED lamps.

 } LED

The lamps cannot be changed in the luminaire.

874/2012 



Waste electrical products should not be disposed of with household waste. Please recycle. Check with your local authority for advice on local facilities.

For LED module replacements contact Hand & Eye and we will endeavour to arrange this, subject to availability of the module. Charges apply.