
O-BEAM LIGHT

Design By

Thomas Housden

Material & Finish

Ceramic Extrusion & Aluminium Core with
Silicone Caps

Dimensions & Weight

L1600 Ø60

8KG

Lamp Type & Wattage

12V DC LED

1284 - 1345 lumen per metre

2700K or 3000K colour temp

Downlight: 20w per metre (28.5w)

Up-and-downlight: 20w per metre + 15w per metre (49.88w)

IP Rating

IP20

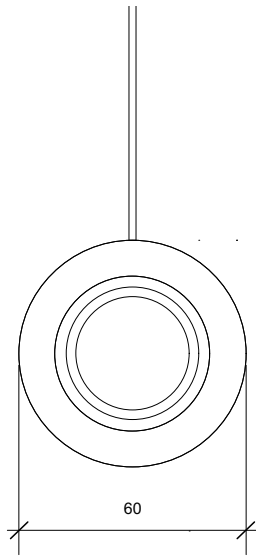


Hand & Eye Studio

Purple Studio
Old Paradise Yard
20 Carlisle Lane
London
SE17LG

T +44 (0)1252 715646

info@handandeyestudio.co.uk

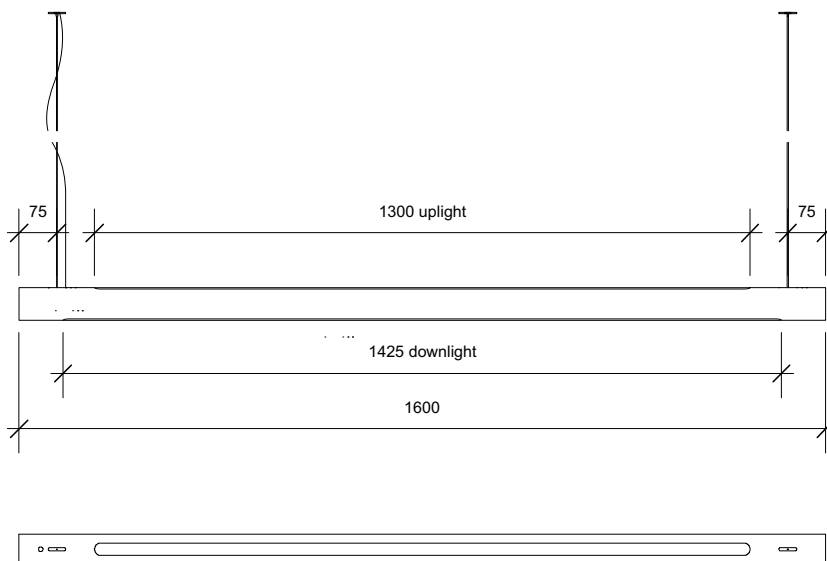
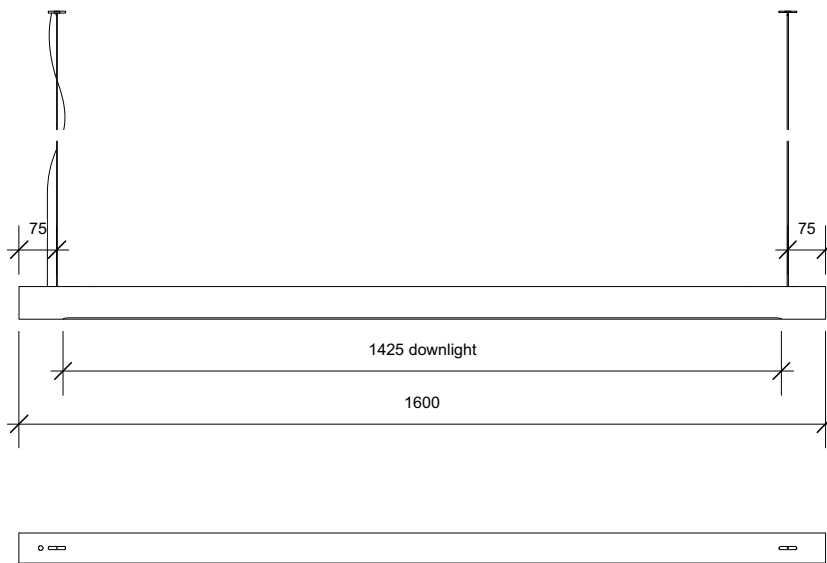


Dimensions & Weight

Down Light Option
L1600mm Ø60 6kg

Downlight & Uplight Version
L1600mm Ø60 5kg

Note All Dimensions in Metric Millimetres



SAFETY NOTES



1 Please read these instructions IN FULL and carefully BEFORE commencing assembly and installation

2 We recommend the use of a professional trades person with suitable qualifications for the installation of electrical lamps

3 Two people are required for the safe installation of the O-Beam light

4 Products with electronic ballast / drivers must not be installed on the same electrical circuit as products with inductive loads, for example magnetic fluorescent luminaries, motors or ventilators. Inductive loads can generate excessive voltage surges and can damage electronic ballasts

5 Ensure correct connection of cables (positive / negative). the led will not work if polarity is reversed.

LIVE: Normally Brown / Red

NEUTRAL: Normally Blue / Black

Earth: Normally Green / Yellow

6 This lamp is made of ceramic. Caution should be taken not to hit the lamp with heavy objects that could cause the ceramic to break. The lamp has a bonded aluminium core to prevent structural failure. Sharp parts and fragments may crack off the lamp in the event of impact.

ALWAYS HANDLE WITH CARE!

7 Always use this lamp either above a table / work surface or at a height above head height. The lamp is solid and heavy so the possibility to walk into the lamp should be avoided.

8 Do not hang off the lamp or lean on the lamp to avoid adding weight to the lamp and suspension system. The lamp is designed to take 30kg per suspension cable but the fixing to the ceiling load capacity will depend on the installation and is not designed to support excessive loading.

DIAGRAM 1
Lamp Components

- 1. USA ONLY
RACO 4 INCH OCTAGONAL CEILING BOX + SCREWS
(NOT SUPPLIED)
- 2. CEILING FIXING PLATE X2
- 3. SUPER CLAMP FOR STEEL CABLE X2
- 4. COVER PLATE X2 (ONE IS THE SNOWMAN SHAPE,
THE OTHER IS ROUND)
- 5. CORD GRIP / FLEX GROMMET X2
- 6. POWER FLEX CORD
- 7. SUSPENSION CABLE X2
- 8. CERAMIC BEAM
- 9. ALUMINIUM CORE & HEAT SINK
- 10. LED STRIP(S)
- 11. DIFFUSER(S)
- 12. SILICONE END BUNG X2

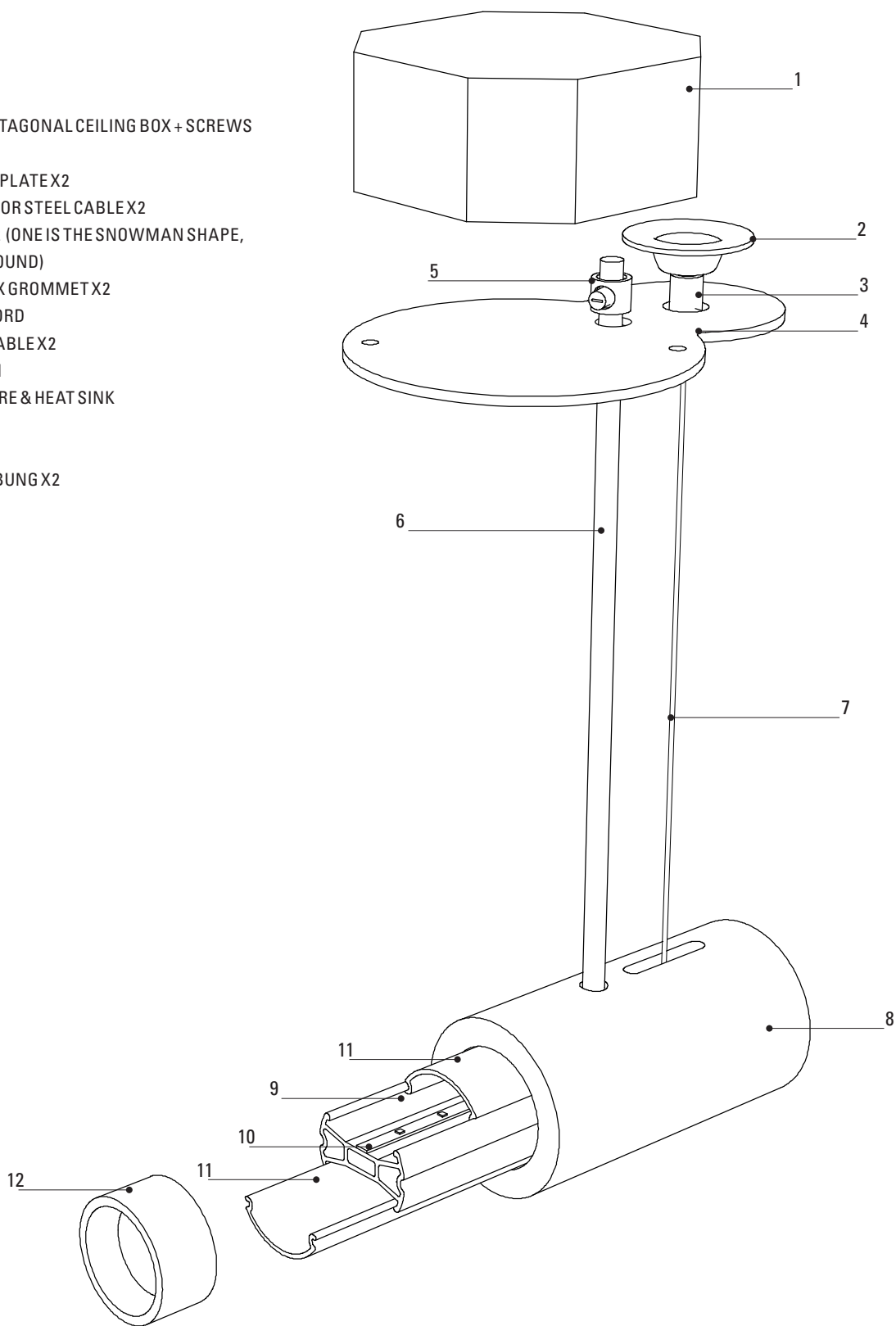
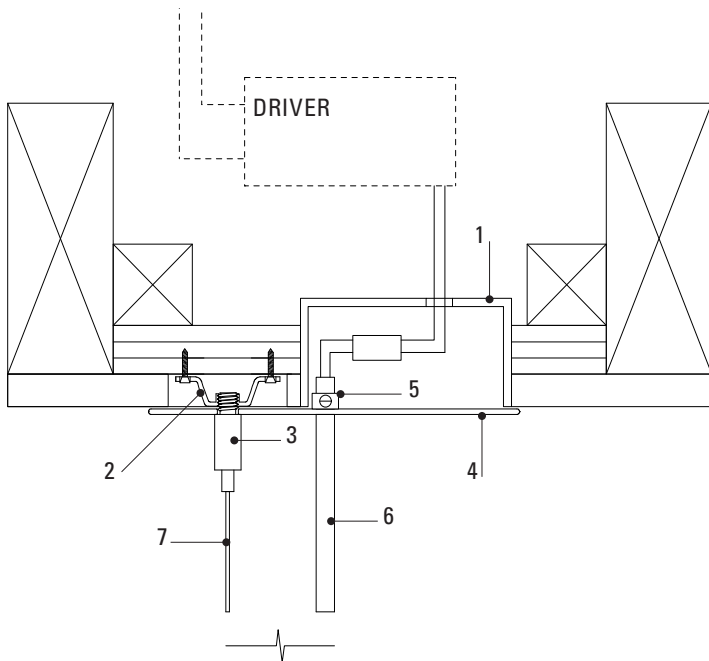
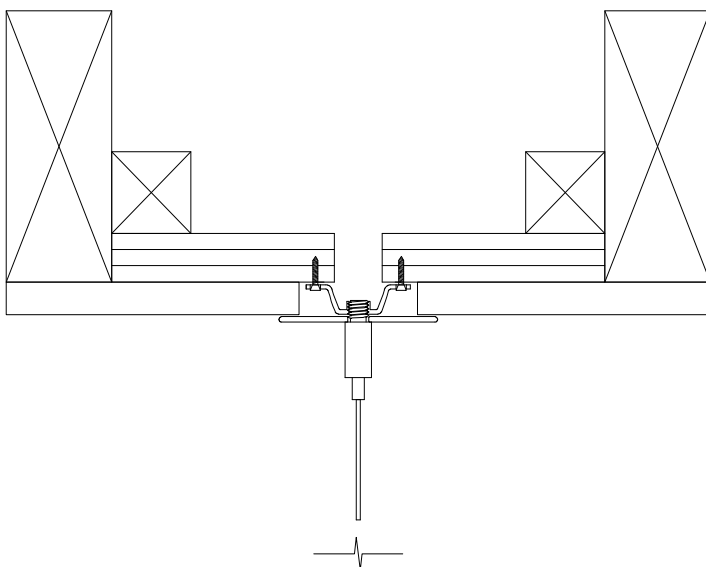


DIAGRAM 2

Ceiling fixing power flex side

**DIAGRAM 3**

Ceiling fixing suspension only side

**1 Assembly of the O-Beam***Diagram 1*

The O-Beam will come assembled with only parts 1-5 NOT assembled. Follow the steps below to install the lamp.

2 Attaching the O-Beam to the ceiling*Diagram 2 & 3***Notes**

The O-Beam weighs 8kg so its important that it is securely attached. This task requires TWO people.

Make sure the ceiling substrate is suitable for the weight. We recommend allowing for a plywood 18mm patress behind the ceiling.

Steps

1. Secure fixing plates (2) to the plywood patress in the ceiling using suitable screws (not provided). Ensure the fixing plates are attached directly to the plywood by removing the plasterboard. Ensure these are located 1450mm apart if the lamps are to be hung horizontally.
2. USA: Secure suitable Raco 4 inch octagonal ceiling back box (1). The back box will not take the load of the lamp and is only provided to make the electrical connection behind the ceiling.
EU: allow only for 80mm hole in the plasterboard where back box is shown.
3. Thread the electrical flex cable (6) and suspension cables (7) through the fixing and power cable cover plates. Refer to ceiling cover plate drawing (Drawing 6) below for further details.
4. Suspend the lamp at the correct height using the suspension cables and super clamps (3 & 7) by attaching these to the fixing plates (2).
The clamp will automatically grip the cable as it is pushed in. To release, push the nipple whilst pulling the cable. Typically set the lamp a little lower than desired as it is easier to adjust the lamp upwards. Excess cable will sit above the ceiling or can be trimmed.
5. Thread the cord grip (5) over the flex cord behind the ceiling plate (4) and secure. Position so that the flex cord is slack and the connection is not bearing weight.
6. Make the electrical connections using the supplied Wago connector blocks. See diagrams below for more details.
7. USA: Cover the back box with the cover plate (4) and attach to the back box using the screw hole positions (screws not supplied).
EU: Screw the cover plate into the plywood patress (screws not supplied) to cover the hole.

The lamp should now be hanging securely from the ceiling.

DIAGRAM 4
Power Connection Diagram

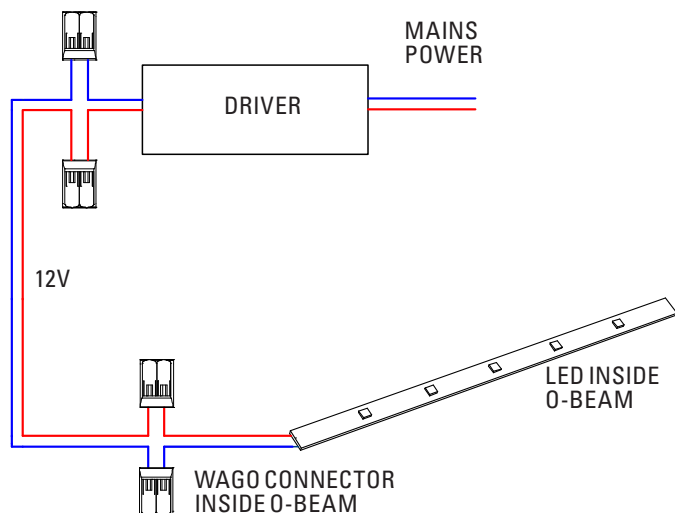
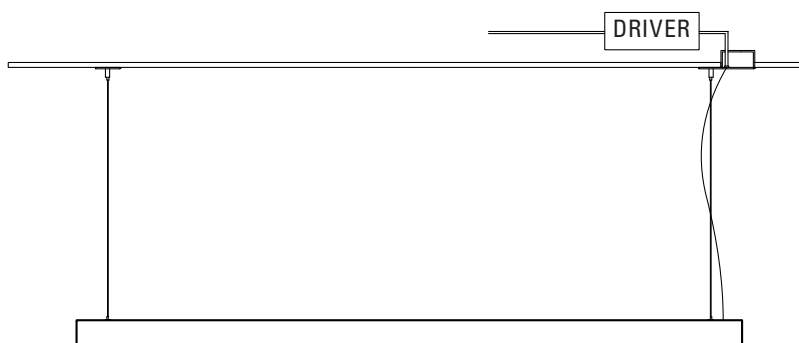


DIAGRAM 5
Connection Location Diagram



3 Connecting the power

Diagram 4

Notes

The O-beam LED has 12V input. Do NOT connect directly to the mains power but use the driver/transformer provided!

USA: Driver supplied suitable for 110V

EU: Driver suitable for 230-240V

Make sure mains power is OFF during installation and use a qualified tradesman.

The driver/transformer needs to be located accessibly behind the ceiling (for example, by leaving a hole behind the cover plate) or in a nearby location (cupboard etc.) not more than 10m from the light.

The power flex cord attached to the lamp is pre connected to the LED by Wago connector blocks located inside the light.

To connect the lamp to the power connect the mains power to the driver/transformer, then connect the transformer to the flex cable above the ceiling line.

If desired, the flex cord can be kept close to one of the steel suspension cables using the flex grommet. Make sure that the flex cord and steel cable are both threaded through the grommet BEFORE making the connection.

4 Finished Installation

Diagram 5

Notes

This diagram shows the final set up of the O-beam.

The driver is located above the ceiling or located remotely in a cupboard or accessible location. This must not be more than 10 metres away.

The Wago connectors above the ceiling are located in the ceiling back box or above the ceiling.

The LED and wago connectors are located inside the ceramic light.

DIAGRAM 6
Cover Plate Power Side

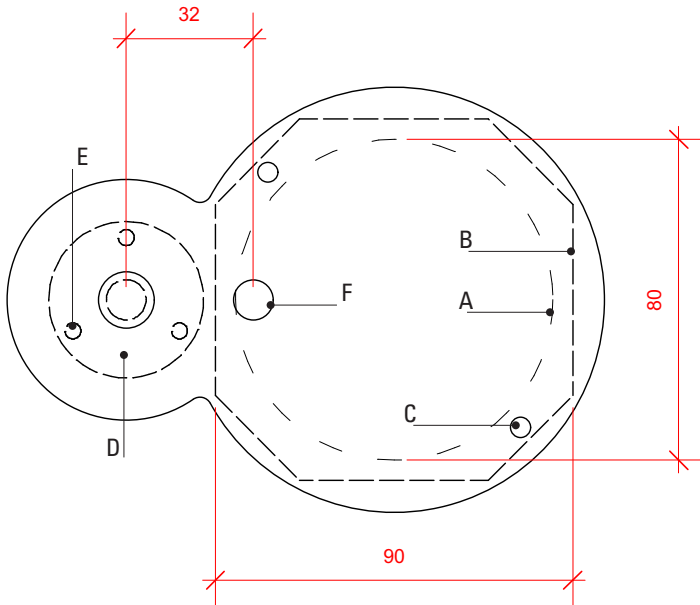
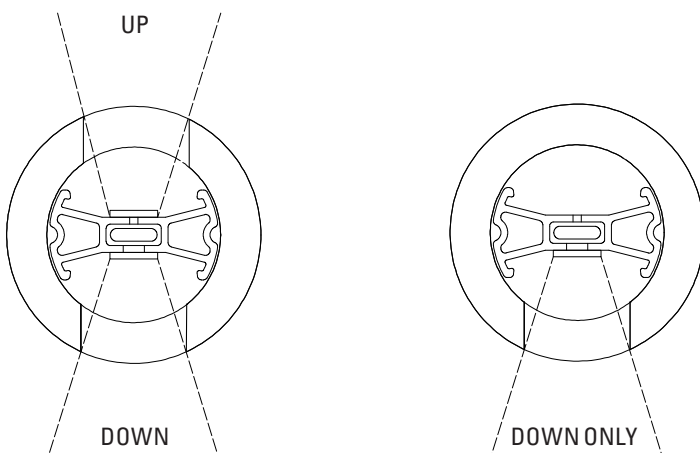


DIAGRAM 5
Connection Location Diagram



5 Ceiling cover plate

Diagram 6

Notes

The power flex cord side of the lamp comes with a cover plate designed for both US and EU markets.

In the EU an 80mm hole is made in the ceiling (A). This allows access to the driver. The cover plate is then screwed to the plywood patress using the holes (C)

In the US the holes (C) align with a standard Raco 4 inch octagonal ceiling back box.

In both the US & EU the fixing plate (D) is secured to the plywood using 3 screws (E). The fixing plate is hidden behind the larger ceiling cover plate.

Hole (F) allows for the power flex connection.

Alternative off the shelf ceiling roses can be used in conjunction with our fixing plate (E) if a different aesthetic is desired.

Please note the cover plate is not designed to take the load of the lamp. Please also ensure the power flex is not taut and no weight is being carried by the power flex connection.

The cover plate is supplied in a white finish. The fixing screws are not supplied.

6 Down Light / Down & Up Light

Diagram 7


Notes


This diagram shows the variation between the two versions of the O-Beam.

The up and down light version will switch on both together and does not come with the option to switch independently. To do this a 4 core flex cable would be required.

Contact Hand & Eye for further information.

| Hand&Eye || O-Beam

 This luminaire contains built-in LED lamps

 } LED

The lamps can be changed only by the manufacturer

874/2012 