
RIGATONI PENDANTS

Design By
Mentsen

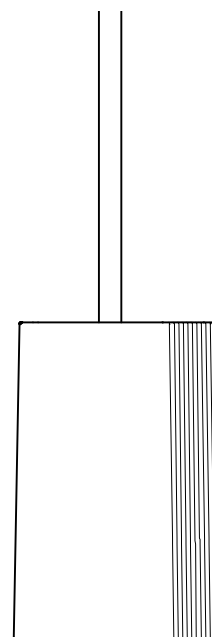
Material & Finish
Ceramic & Copper
Raw Terracotta & Blue Engobe

Dimensions & Weight
Small H140mm Ø85mm 0.8Kg
Medium H220mm Ø85mm 1kg
Large H300mm Ø85mm 1.2kg

Lamp Type & Wattage
E27 lamp Max 12W LED Bulb (not included)
E26 for USA
Dimmable

IP Rating
IP20

Wiring Certification
EN 60598



Hand & Eye Studio
Purple Studio
Old Paradise Yard
20 Carlisle Lane
London
SE17LG

T +44 (0)1252 715646
info@handandeyestudio.co.uk

SAFETY NOTES



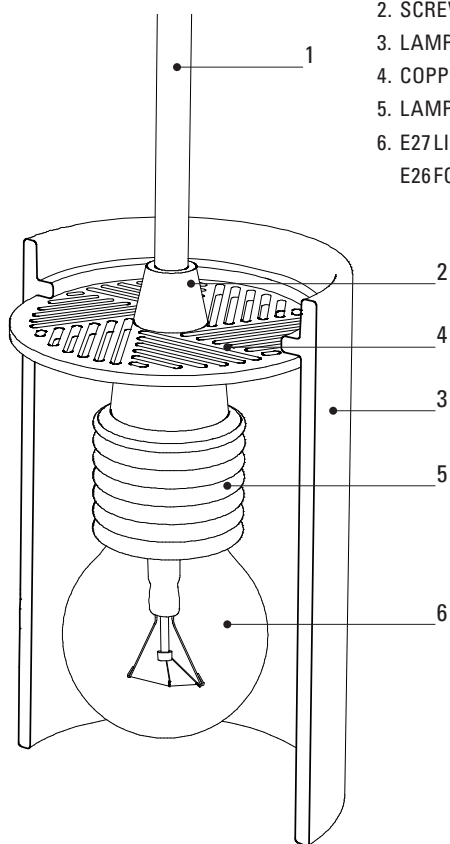
1 During installation:

- Please read the instructions before assembly or installation.
- Be sure to use a suitably qualified person for installation as the lights require connecting to mains power
- Make sure mains power is off during installation
- Make sure that the light is securely hung from the ceiling and that there is a suitable substrate for this. The electrical flex is able to take the weight of the lamp without any additional support wire but the weight should not be taken by the junction of the mains and light flexes.
- When attaching the ceiling rose do NOT use an electric screwdriver as this makes the rose more likely to crack

2 Once installed:

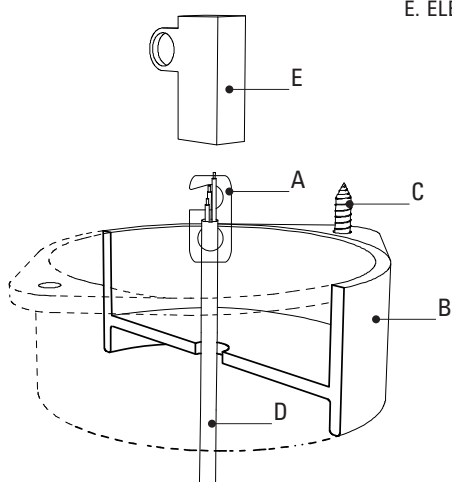
- Do NOT use a lightbulb of more than 12W for the Rigatoni light.
 - We strongly recommend using an LED lightbulb.
 - Take care with the ceramic shades as ceramic can break if hit hard enough
 - If at any point your lightbulb breaks then, as with any light, do not touch the filament/LED part unless the power is turned off
 - Always turn off the power before changing a lightbulb
-

DIAGRAM 1
Lamp Components



1. ELECTRIC FLEX WITH WOVEN FABRIC SHEATHING
2. SCREW ON PLASTIC CAP
3. LAMP SHADE
4. COPPER DISC
5. LAMP HOLDER (E27)
6. E27 LIGHT BULB MAX 12W E26 FOR USA


DIAGRAM 2
Ceiling Rose Components





- A. 'S' HOOK
- B. CEILING ROSE
- C. CEILING ROSE SCREWS (not supplied)
- D. ELECTRICAL FLEX WITH FABRIC SHEATHING
- E. ELECTRICAL JUNCTION BOX

- 1 Thread the flex (1) through the copper disc (4). Then gently slide the plastic cap (2) over the flex and screw it onto the top of the lamp holder (5). Now pull everything through the inside of the shade (3) so that the copper disc (4) will take the weight of the shade.
- 2 Ensure the flex is threaded through the ceiling rose before securing. Now that the lamp is assembled and ready to hang, assess the ceiling fixing point. The lamp should be hung from a suitable substrate. The screw fixing is not provided and must be selected to suit the ceiling build up. We suggest a fixing that allows the 'S' hook to be attached to a ceiling hook. We strongly recommend the use of a professional electrician or tradesman.
- 3 Ensure all electricity is turned off at the mains switchboard. Now connect the lamp flex (D) to the mains electric cables using the connector block (E). The connector block (E) can be fixed to the ceiling if required or tucked behind the plasterboard. The weight of the lamp should be hung off the S hook (A) to ensure no weight is placed on the electrical connection.
- 4 Place the ceiling rose over the junction box (E) and secure it to the ceiling using two small screws (C) not supplied. We recommend brass screws. No weight should be supported off the ceiling rose as this only covers the cables behind. The ceiling rose will not cover an existing plastic / metal ceiling rose. This will need to be removed. The 'S' hook (A) behind the ceiling rose can be used to set the flex length.
- 5 Fit an E27 light bulb (E26 USA) to the lamp holder (7). We recommend using LED bulbs of 2700K warm white.

Hand&Eye Rigatoni

 This luminaire is compatible with bulbs of the energy classes:

 } 

874/2012 