
GOOSEBERRY SMALL

Design by

Thomas Housden

Material & Style

Terracotta & White Glaze

Dimensions & Weight

Small - Ø170mm H170mm

1Kg

Lamp Type & Wattage

E27 lamp Max 12W LED Bulb (not included)

E26 lamp Max 12W LED Bulb (USA not included)

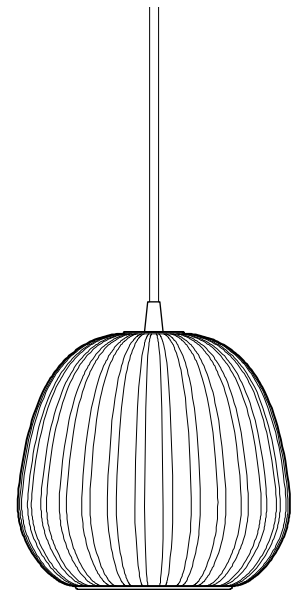
Dimmable

IP

IP20

Wiring Standard

EN 60598



Hand & Eye Studio

Purple Studio

Old Paradise Yard

20 Carlisle Lane

London

SE17LG

T +44 (0)1252 715646

info@handandeyestudio.co.uk

SAFETY NOTES



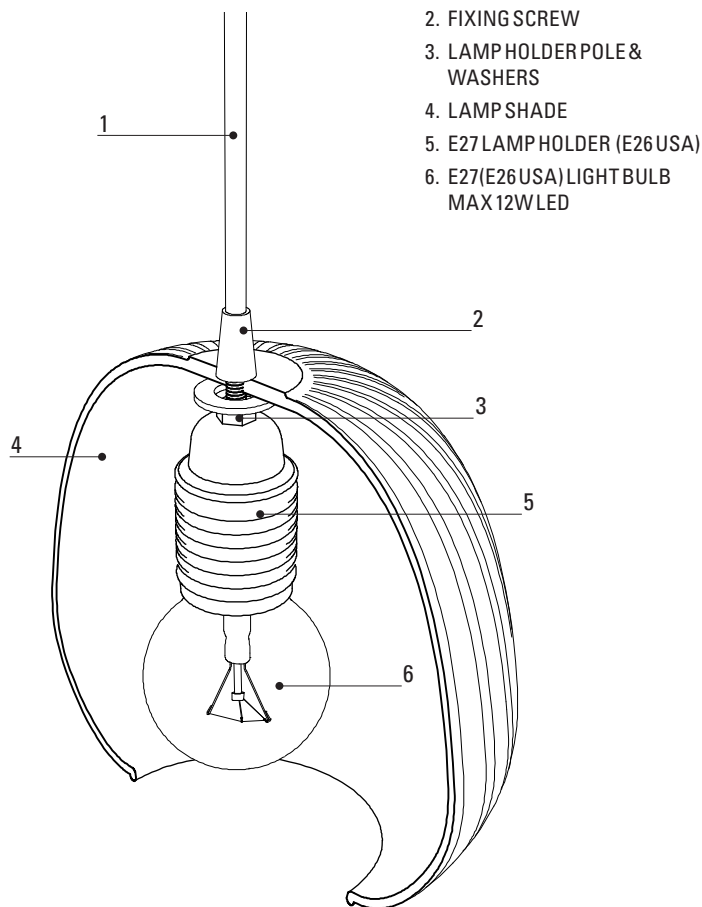
1 During installation:

- Please read the instructions before assembly or installation.
- Be sure to use a suitably qualified person for installation as the lights require connecting to mains power
- Make sure mains power is off during installation
- Make sure that the light is securely hung from the ceiling and that there is a suitable substrate for this. The weight of the lamp needs to be taken by the suspension wire not the electrical flex.
- When attaching the ceiling rose ensure you are working from a safe platform or ladder
- Do NOT use an electric screwdriver to tighten the ceiling rose screws as this can cause it to crack

2 Once installed:

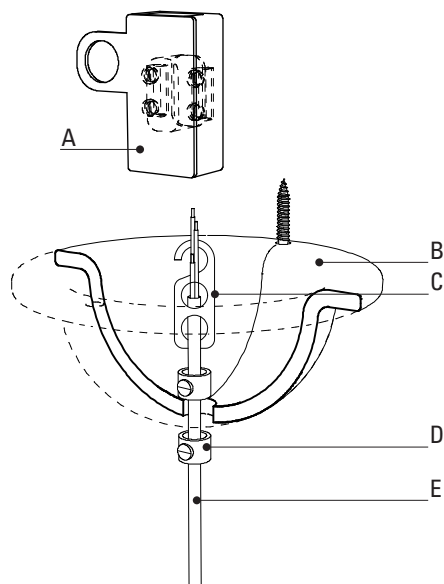
- Do NOT use a lightbulb of more than 12W.
 - We strongly recommend using an LED lightbulb and we recommend an opal bulb.
 - Take care with the ceramic shade as this can break if hit hard enough. We recommend installing the lamp above furniture such as tables or island units or above head height.
 - If at any point your lightbulb breaks then, as with any light, do not touch the filament/LED part unless the power is turned off
 - Always turn off the power before changing a lightbulb
-

DIAGRAM 1
Lamp Components



1. ELECTRIC FLEX WITH WOVEN FABRIC SHEATHING
2. FIXING SCREW
3. LAMP HOLDER POLE & WASHERS
4. LAMP SHADE
5. E27 LAMP HOLDER (E26 USA)
6. E27 (E26 USA) LIGHT BULB MAX 12W LED

DIAGRAM 2
Ceiling Rose Components



- A. ELECTRICAL JUNCTION BOX
- B. CEILING ROSE
(Screw not supplied)
- C. S-HOOK
- D. FLEX GROMMET
- E. ELECTRIC FLEX WITH WOVEN FABRIC SHEATHING

1 Ensure all the provided electrical components are fitted to the lamp in accordance with diagram 1. Thread the flex (1) and the lamp holder assembly through the hole at the top of the lamp (4). Ensure the metal washer (3) is below one or two of the rubber washers. Then gently thread item (2) over the flex. Carefully thread this tight taking care not to twist the fabric sheathing of the flex (1).

2 Cut the flex (1) to the desired hanging length. Ensure the fabric sheathing has been taped after cutting to prevent fraying. Ensure the sheathing is not slack on the flex. Ensure the electric cables have been suitably prepared for connection. We recommend this work is performed by a qualified electrician.

3 Now that the lamp is assembled and ready to hang assess the ceiling fixing point. The lamp should be hung from a suitable substrate. The screw fixing is not provided and must be selected to suit the ceiling build up. We suggest a fixing that allows the flex to be hooked on to the end of a metal hook using the provided S-hook (C).

4 Thread the flex (1) through the ceiling rose (B). Then fit the S-Hook (C) on to the flex towards the top.


5 Now that the lamp is assembled and ready to make the connection to the mains electrics check and ensure the power supply is switched OFF at the mains.

6 Now connect the lamp flex (E) to the mains electric cables using the connector blocks (A). The connector block (A) can be fixed to the ceiling if required. Ensure all electricity is turned off at the mains switchboard. Consult an electrician. Then hook the S-Hook (C) to your ceiling fixing point. The lamp weight should hang off the S-Hook and NOT the electrical connection block (A). Flex Grommet (D) can also be used inside the ceiling rose to ensure no weight is being hung off the electrical connector block.


7 Push the ceiling rose over the junction box (A) and secure to the ceiling using small screws (C). We recommend brass screws but do not supply as a suitable screw needs to be selected depending on the substrate. No weight should be supported off the ceiling rose as this only acts to cover cables behind. The ceiling rose will not cover an existing plastic / metal ceiling rose. This will need to be removed. Do NOT use an electric screw driver to tighten the ceiling rose screws as this can crack the ceramic.

6 Fit a screw in bulb to the lamp holder (5). Ensure the use of Max 12W LED bulb. See website product info for light bulb recommendations.

Hand&Eye || Gooseberry

 This luminaire is compatible with bulbs of the energy classes:

A⁺⁺
A⁺
A
B
C
D
E



874/2012 