
GOOSEBERRY CEILING LIGHT

Design by

Thomas Housden

Material & Style

Terracotta with white glaze OR raw terracotta finish

Dimensions & Weight

H120mm, Ø 80mm

580g

Lamp Type & Wattage

1 x Integrated LED 10W, 230V mains connected
2700k

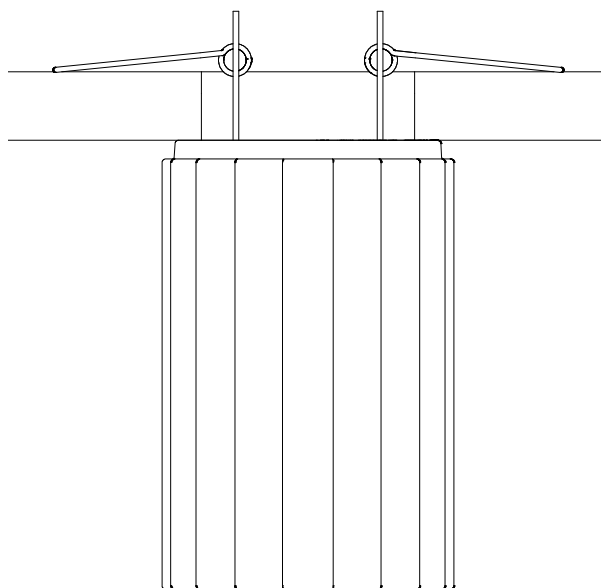
Not suitable for surface mounted conduit electrical
distribution

IP

IP20

Certification

CE EN 60598



Hand & Eye Studio

Purple Studio
Old Paradise Yard
20 Carlisle Lane
London
SE17LG

T +44 (0)1252 715646

info@handandeyestudio.co.uk

SAFETY NOTES



1 Installation:

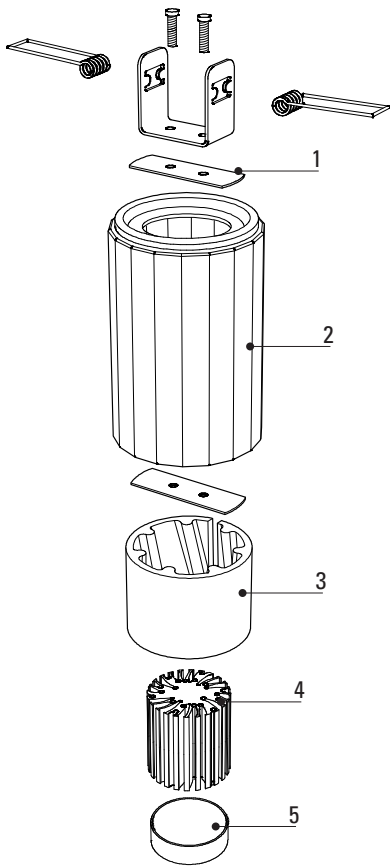
- Please read the instructions carefully before assembly and installation
- Make sure mains power is OFF during installation
- Be sure to use a suitably qualified person for installation as the lights require connecting to mains power
- Note the integrated LED modules are 230V mains connected units (with no transformer)
- When working at height always ensure you are working from a safe platform
- The ceramic shades are breakable and should be treated suitably.
- If broken take care to remove carefully from site
- Do NOT remove the lens cap from the LED module
- Do NOT touch the LED module when turned on if the lens cap has been removed or broken (230V)
- Do NOT disassemble the LED module from the heatsink
- Do NOT bring the lamp in contact with water or locate the lamp in a wet location
- This lamp is NOT fire rated. If the local building regulations require a fire rated lamp ensure to build a suitable fire rated enclosure around the lamp.
- Make sure that the light is fitted in a suitable ceiling void. Ensure nothing touches the lamp above ceiling level to ensure clear air circulation.

2 Once installed:

- Do NOT remove the lens cap from the LED module
 - Do NOT touch the LED module when turned on if the lens cap has been removed or broken (230V)
 - Do NOT disassemble the LED module from the heatsink
 - Do NOT bring the lamp in contact with water or locate the lamp in a wet location
 - For LED module replacements contact Hand & Eye
-

DIAGRAM 1
Lamp Components Exploded View

1. FIXING PLATES, SPRING & SCREWS
2. CERAMIC SHADE
3. SILICONE WRAP
4. HEAT SINK (PRE-SCREWED TO LED)
5. LED & LENS CAP



The Gooseberry ceiling light comes with components 1, 2, 3, 4 and 5 pre-assembled. Follow the instructions below for installation.

DIAGRAM 2
Size of Hole to cut

Cut a hole in the desired location in the ceiling using a 60mm cutting tool.

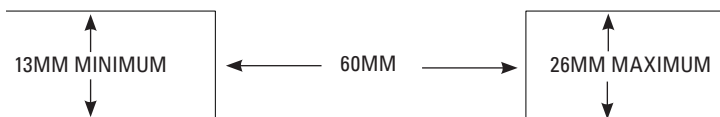
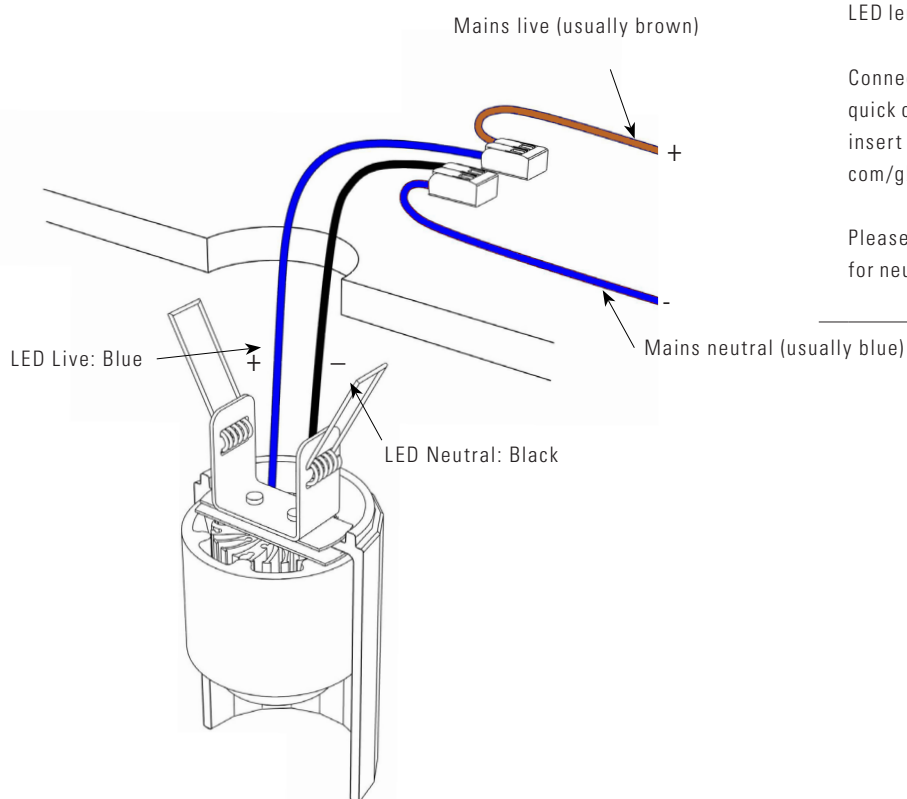


DIAGRAM 3
Connecting LED to Mains power



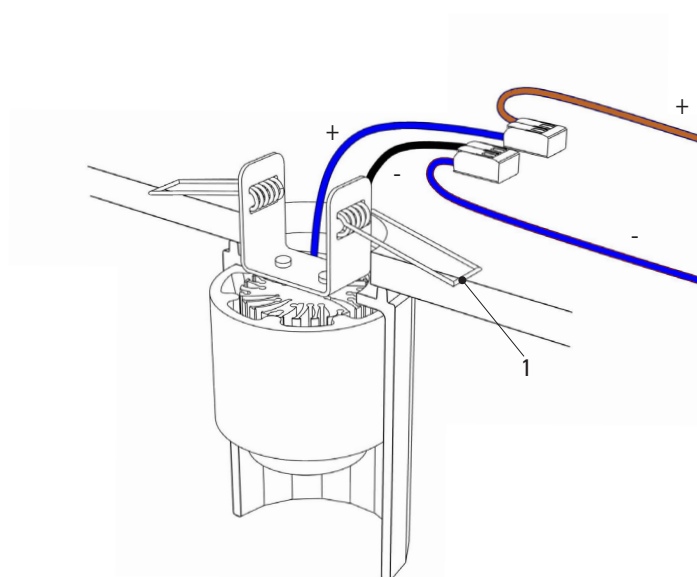
Ensure the mains power is switched OFF.

The LEDs are 230V mains connected so do NOT remove the LED lens caps.

Connect the LED to the mains power supply using the Wago quick connector 221. Simply lift up the orange levers and insert wires as shown. Refer to Wago website (www.wago.com/gb) for detailed instructions.


Please note: The LED cables are BLUE for live (+), BLACK for neutral (-)

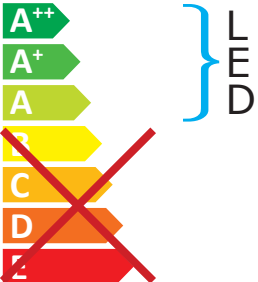
DIAGRAM 4
Lamp attached to ceiling




Now the LED is connected to the mains power the light can be attached to the ceiling. Pull the springs taut and hold these as you place the springs and metal piece into the ceiling recess. Once pushed in the springs will unfurl behind the plasterboard, holding it to the ceiling. Ideally use 2 layers of plasterboard on ceiling to give maximum torsion.

I Hand & Eye II Gooseberry Ceiling

 This luminaire Contains built-in LED lamps.

 } LED

The lamps cannot be changed in the luminaire.

874/2012 



Waste electrical products should not be disposed of with household waste. Please recycle. Check with your local authority for advice on local facilities.

For LED module replacements contact Hand & Eye and we will endeavour to arrange this, subject to availability of the module. Charges apply.